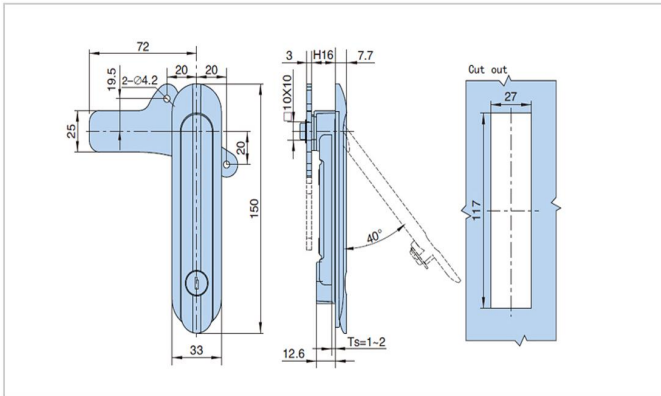


Flat lock Serise - MS6019Z-1-1



> Features :

- Material:zinc alloy for the housing,lock back,rotate axis and cam.
- Finish:gray chrome plating.
- Fuction:the cam turns 90° to unlock when open the handle up.
- Panel thickness:1~5mm.
- Remark:10X10 cut out

> Meterial :

- Zinc alloy

> Surface treatment

- Electroplate

> Product Specification

Product No	Weight	Lot
MS6019Z-1-1	310	50

Manufacturer & Importer

Panel Door Lock / Panel Door Hinges / Latches / Door Handles / Blind Rivet Nut / Mono-Bolt Rivets
 Self Clinching Fasteners / Door gaskets / Fan Filters / Drawer Sliding Chanel