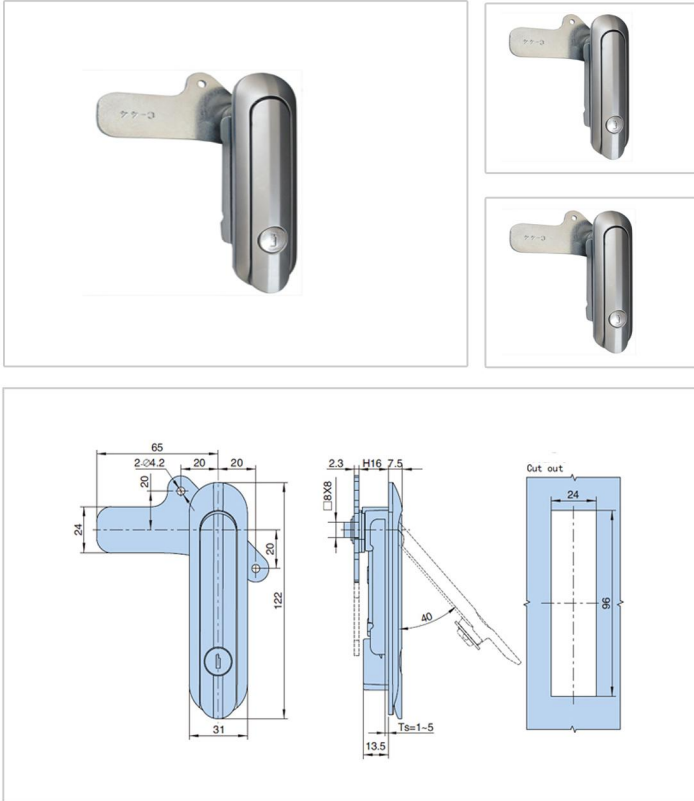


**Flat lock Serise - MS6020Z-1-1**



**► Features :**

- Material:zinc alloy for the housing,lock back,rotate axis and cam.
- Finish:gray chrome plating.
- Fuction:the cam turns 90° to unlock when open the handle up.
- Panel thickness:1~5mm.
- Remark:8X8 cut out

**► Meterial :**

- Zinc alloy

**► Surface treatment**

- Electroplate

**► Product Specification**

Product No	Weight	Lot
MS6020Z-1-1	245	100

**Manufacturer & Importer**

Panel Door Lock / Panel Door Hinges / Latches / Door Handles / Blind Rivet Nut / Mono-Bolt Rivets  
 Self Clinching Fasteners / Door gaskets / Fan Filters / Drawer Sliding Chanel