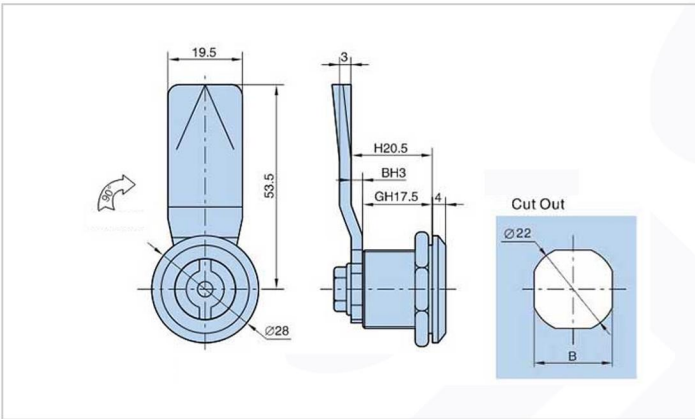


Cam Lock Serise - MS705-5



► Features :

- Material: Zinc die-casting body Zinc plating cam
- Finish: Sage green Black powder coated
- Panel thickness: 1~5mm

► Material :

- Zinc alloy

► Surface treatment

- Plastic Spray

► Product Specification

Cam types	Dimensions			Product Number											
	H	L1	L2	Sage green				Black powder coated							
				Square Insert	weight	lot	Double Bit insert	weight	lot	Square Insert	weight	lot	Double Bit insert	weight	lot
Height=2	16.4	15	30	MS705-5 -4.9	112	300	MS705-5 -2.9	115	300	MS705-5 -4.3	112	300	MS705-5 -2.3	115	300
Height=32.5	51	22.5	34	MS705-5 -3.9	120	300	MS705-5 -1.9	125	300	MS705-5 -3.3	120	300	MS705-5 -1.3	125	300

Manufacturer & Importer

Panel Door Lock / Panel Door Hinges / Latches / Door Handles / Blind Rivet Nut / Mono-Bolt Rivets
 Self Clinching Fasteners / Door gaskets / Fan Filters / Drawer Sliding Chanel