

The rotary bolt lock Serise - MS705-8-1

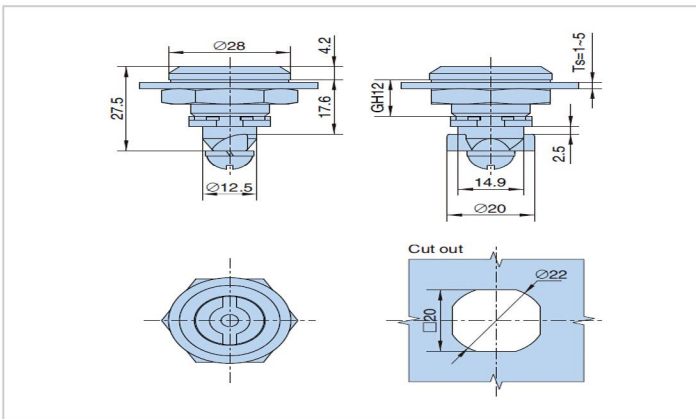


- **Features :**
 - Material:zinc alloy housing and cylinder.
 - Finish:matt black.
 - Panel thickness:1-5mm.

- **Material :**
 - Zinc alloy
- **Surface treatment**
 - Plastic Spray

➤ **Product Specification**

Product No	Weight	Lot
MS705-8-1	50.3	500



Manufacturer & Importer

Panel Door Lock / Panel Door Hinges / Latches / Door Handles / Blind Rivet Nut / Mono-Bolt Rivets
 Self Clinching Fasteners / Door gaskets / Fan Filters / Drawer Sliding Chanel