

Cam Lock Serise - MS705



Features :

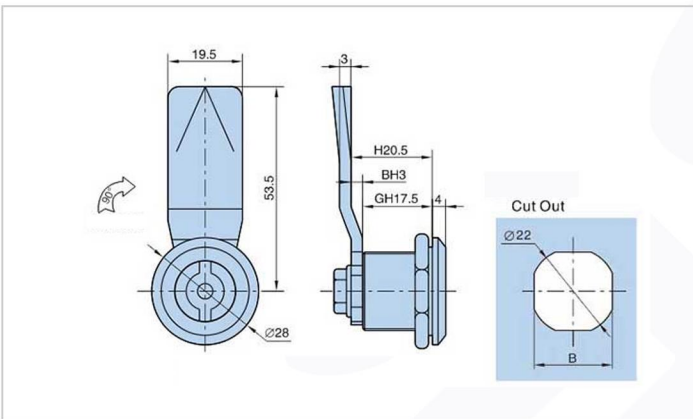
- Material: Zinc die-casting and stainless steel lock body are available
- Panel thickness: 1~5mm

Material :

- Zinc alloy → Stainless Steel

Product Specification

Product Number	Finish	Insert	B	Weight	Lot
MS705-1-1.1	Chrome Plating	Slot insert	20	80	500
MS705-1-2.1		Double bit insert	20	76	500
MS705-1-3.1		Insert	20	72	500
MS705-2-1.1		Double bit insert	20.5	74.5	500
MS705-2-2.1		Triangular insert	20.5	77	500
MS705-2-3.1		Square insert	20.5	74.5	500
MS705-2S-1	Stainless Steel	Slot insert	20	86	500
MS705-2S-2		Double bit insert	20	80.5	500
MS705-2S-3		Triangular insert	20	78	500
MS705-2S-4		Square insert	20	80.5	500



Manufacturer & Importer

Panel Door Lock / Panel Door Hinges / Latches / Door Handles / Blind Rivet Nut / Mono-Bolt Rivets
 Self Clinching Fasteners / Door gaskets / Fan Filters / Drawer Sliding Chanel