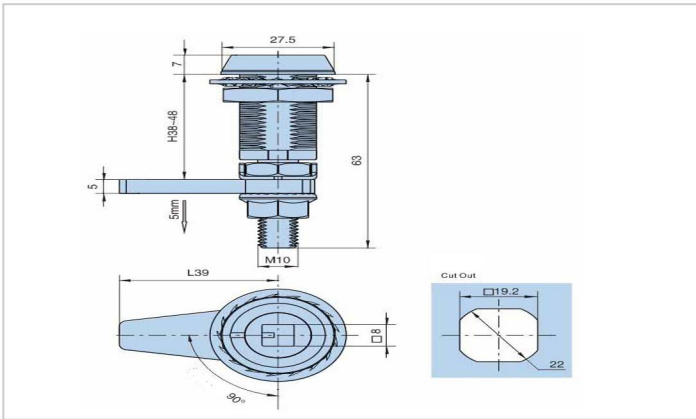


The rotary bolt lock Serise - MS7063-1-1L



➤ Features :

- Material: Zinc die-casting body and insert A3 cam
- Finish: Bright chrome plating
- Panel thickness: 1~8mm
- Remarks: Compression type lock The amount is about 5mm Turn the insert 180° to open lock

➤ Material :

- Zinc alloy

➤ Surface treatment

- Electroplate

➤ Product Specification

Product No	Weight	Lot
MS7063-1-1L	140	200

Manufacturer & Importer

Panel Door Lock / Panel Door Hinges / Latches / Door Handles / Blind Rivet Nut / Mono-Bolt Rivets
 Self Clinching Fasteners / Door gaskets / Fan Filters / Drawer Sliding Channel