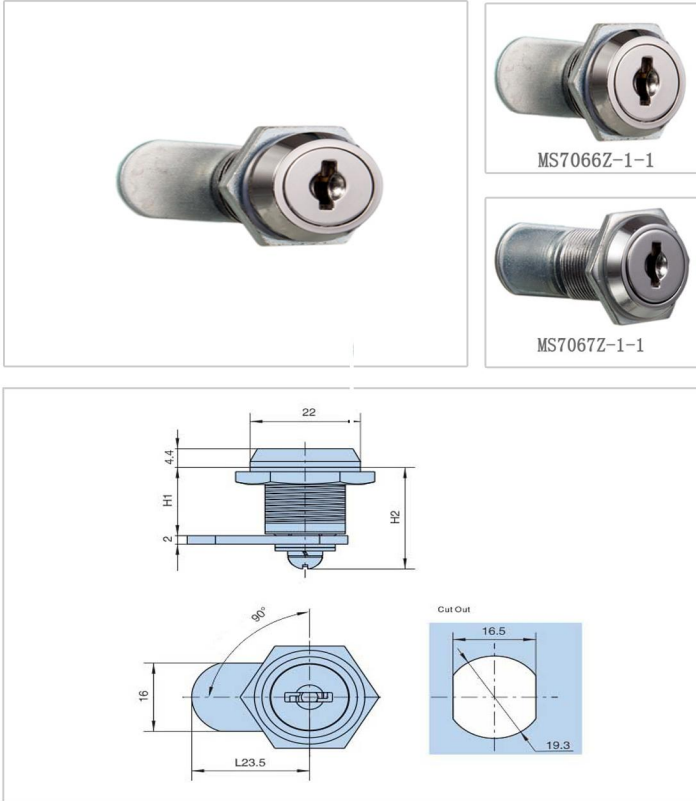


The rotary bolt lock Serise - MS7066Z-1-1



➤ Features :

- Material: Zinc die-casting body and insert A3 cam
- Finish: Bright chrome plating
- Panel thickness: 1~4mm

➤ Material :

- Zinc alloy

➤ Surface treatment

- Electroplate

➤ Product Specification

				Product No	Weight	Lot
H1	16	H2	24	MS7066Z-1-1	47.5	400
	25		33	MS7067Z-1-1	43.5	400

Manufacturer & Importer

Panel Door Lock / Panel Door Hinges / Latches / Door Handles / Blind Rivet Nut / Mono-Bolt Rivets
 Self Clinching Fasteners / Door gaskets / Fan Filters / Drawer Sliding Channel