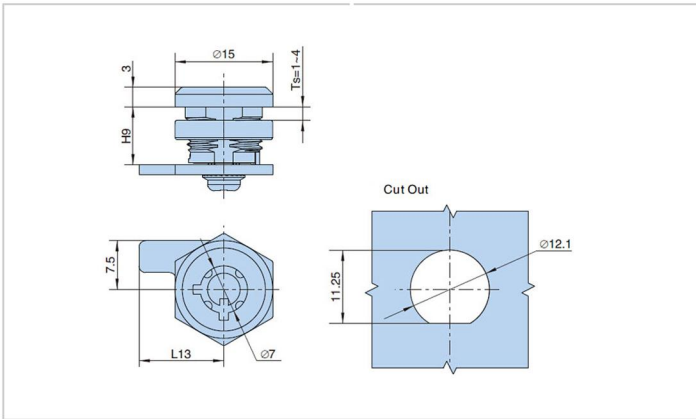
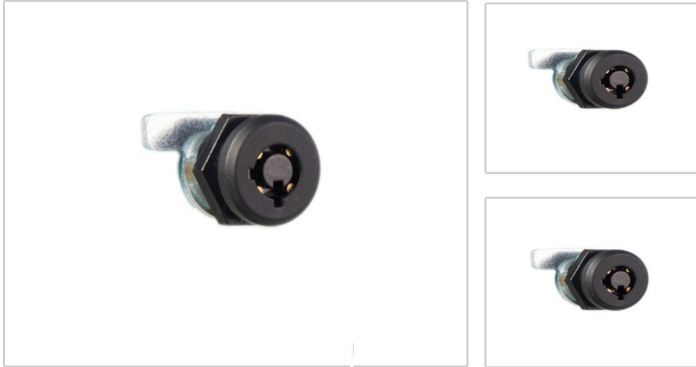


The rotary bolt lock Serie - MS7070Z-1-1



➤ Features :

- Material:zinc alloy for the housing,cylinder and screw.
- Finish:matt black for the body,blue-white zinc plating for the accessories.
- Panel thickness:1-4mm.

➤ Meterial :

- Zinc alloy

➤ Surface treatment

- Plastic Spray

➤ Product Specification

| Product No | Weight | Lot |
|-------------|--------|-----|
| MS7070Z-1-1 | 13.6 | 400 |

Manufacturer & Importer

Panel Door Lock / Panel Door Hinges / Latches / Door Handles / Blind Rivet Nut / Mono-Bolt Rivets
 Self Clinching Fasteners / Door gaskets / Fan Filters / Drawer Sliding Chanel