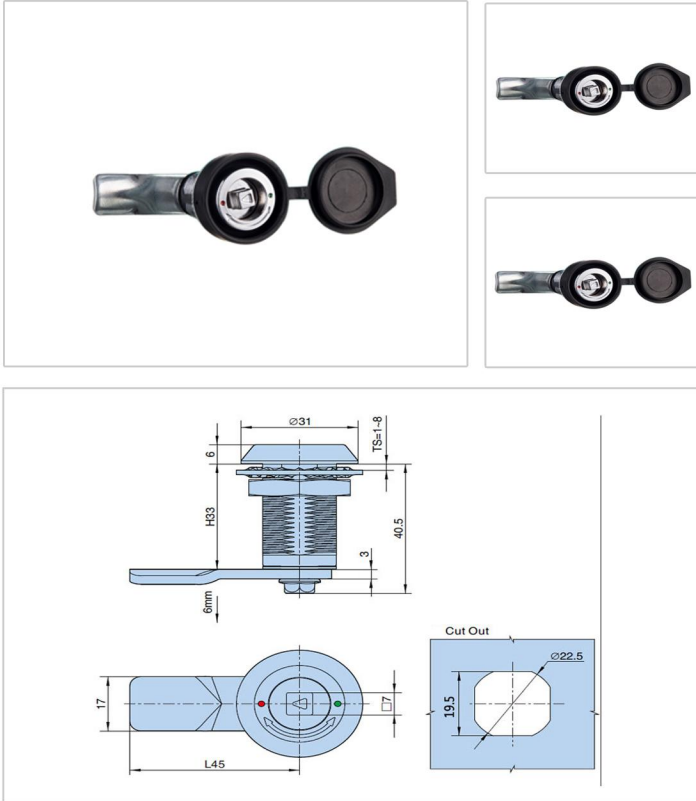


The rotary bolt lock Serise - MS7071Z-1-1



➤ Features :

- Material: Zinc die-casting body and insert A3 cam
- Finish Bright chrome plating
- Panel thickness: 1~4mm
- Remarks: Compression type lock
The amount is about 5mm
Turn the insert 180 °to open lock

➤ Material :

- Zinc alloy

➤ Surface treatment

- Electroplate

➤ Product Specification

| Product No | Weight | Lot |
|-------------|--------|-----|
| MS7071Z-1-1 | 122.1 | 200 |

Manufacturer & Importer

Panel Door Lock / Panel Door Hinges / Latches / Door Handles / Blind Rivet Nut / Mono-Bolt Rivets
 Self Clinching Fasteners / Door gaskets / Fan Filters / Drawer Sliding Channel