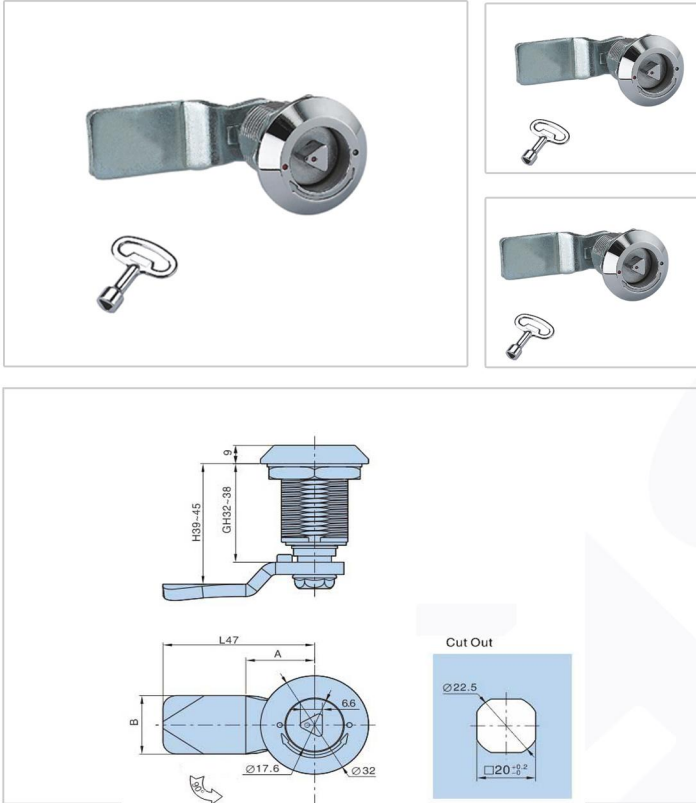


The rotary bolt lock Serise - MS712



► Features :

- Material:Zinc die-casting body,Zinc plating steel cam
- Finish: Bright chrome plating
- Panel thickness:1~8mm
- Remark:compression lock,6mm pull up

► Material :

→

► Surface treatment

→

► Product Specification

Dimensions		Product Number	Weight	Lot
A	B			
22	19.5	MS712-1	115	200
21	19	MS712-2	140	200

Manufacturer & Importer

Panel Door Lock / Panel Door Hinges / Latches / Door Handles / Blind Rivet Nut / Mono-Bolt Rivets
 Self Clinching Fasteners / Door gaskets / Fan Filters / Drawer Sliding Chanel