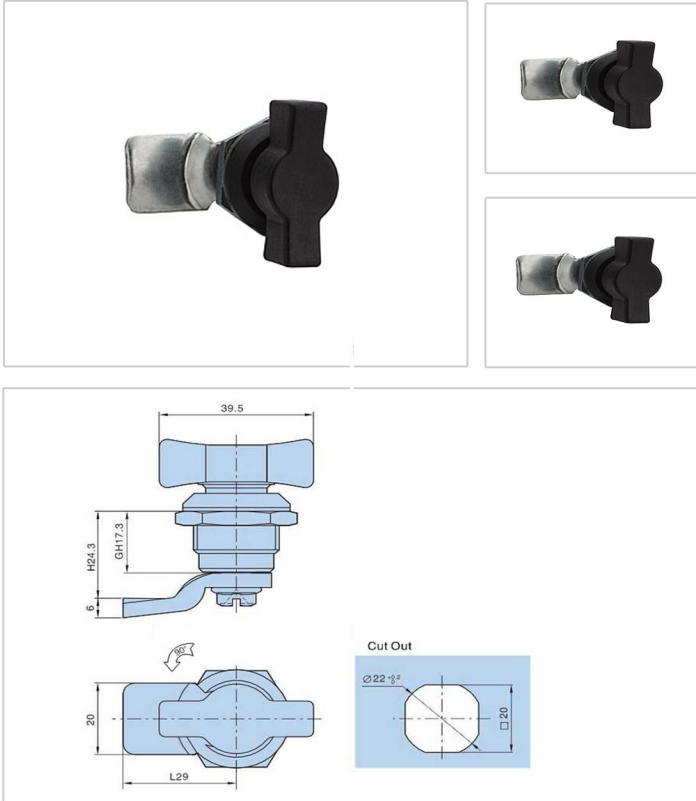


The rotary bolt lock Serise - MS722



Features :

- Material: Zinc die-casting body PA66 knob, Zinc plating nut and
- Finish: black
- Panel thickness: 1~5mm

Material :

- Zinc alloy
- Plastic

Surface treatment

- Plastic Spray

Product Specification

Product No	Weight	Lot
MS722	-	200

Manufacturer & Importer

Panel Door Lock / Panel Door Hinges / Latches / Door Handles / Blind Rivet Nut / Mono-Bolt Rivets
 Self Clinching Fasteners / Door gaskets / Fan Filters / Drawer Sliding Channel