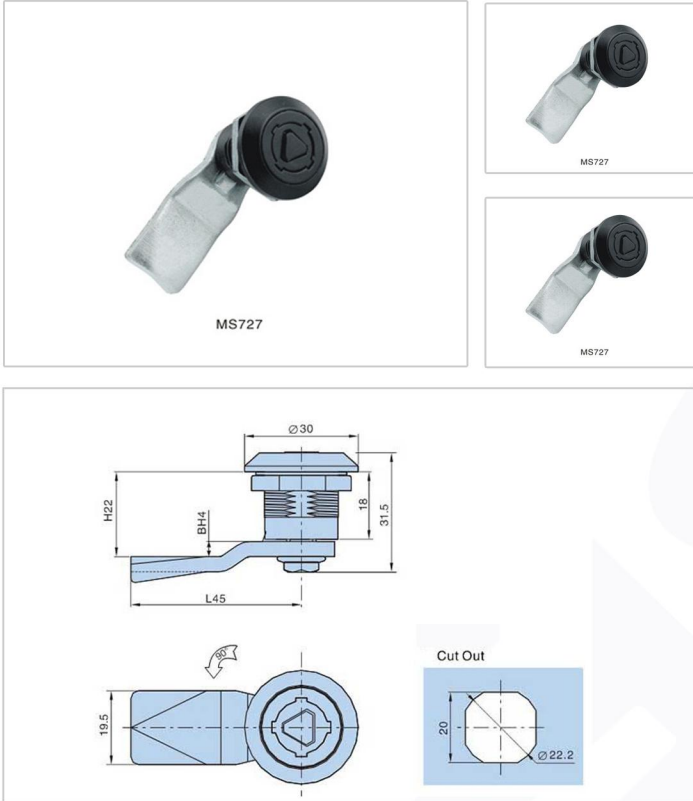


The rotary bolt lock Serise - MS727



➤ Features :

- Material: Zinc die-casting body, nut and key, stainless steel cam
- Panel thickness: 1~5mm
- Finish: Bright chrome plating
- Remark: Auto reposition lock, cam cutout 8x8

➤ Material :

- Zinc alloy

➤ Surface treatment

- Plastic Spray

➤ Product Specification

Product Number	Weight	Lot
MS727	86.5	200



Manufacturer & Importer

Panel Door Lock / Panel Door Hinges / Latches / Door Handles / Blind Rivet Nut / Mono-Bolt Rivets
 Self Clinching Fasteners / Door gaskets / Fan Filters / Drawer Sliding Chanel