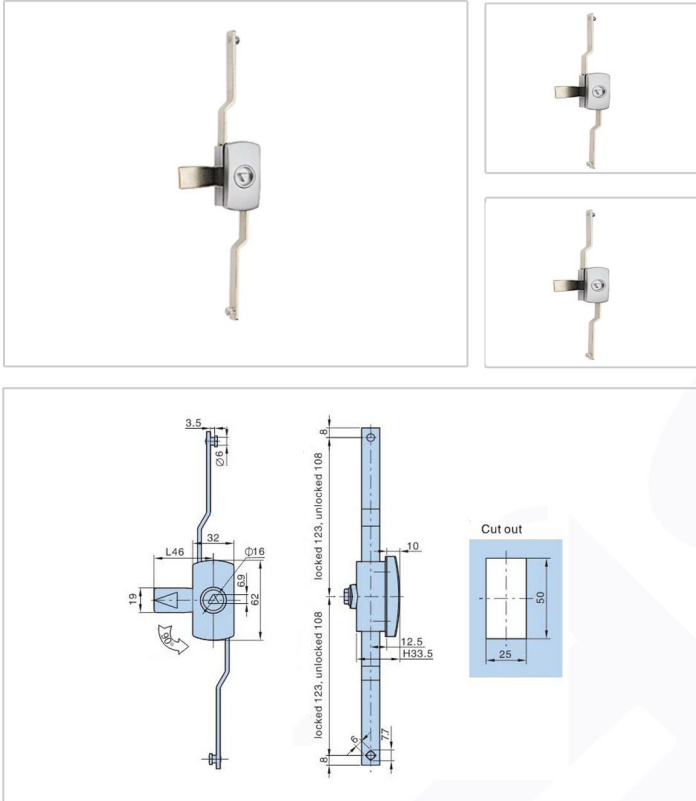


The connecting rod lock Serise - MS730



Features :

- Material: Zinc die-casting body, Zinc plating cam, fixing parts, nickel plating driving rod
- Finish : Gray chrome plating
- Panel thickness: 1~3mm

Material :

- Zinc alloy

Surface treatment

- Electroplate

Product Specification

| | Product Number | Weight | Lot |
|-------------------|----------------|--------|-----|
| Triangular Insert | MS730-3 | 343 | 60 |
| Double Bit Insert | MS730-1 | 350 | 60 |

Manufacturer & Importer

Panel Door Lock / Panel Door Hinges / Latches / Door Handles / Blind Rivet Nut / Mono-Bolt Rivets
 Self Clinching Fasteners / Door gaskets / Fan Filters / Drawer Sliding Channel