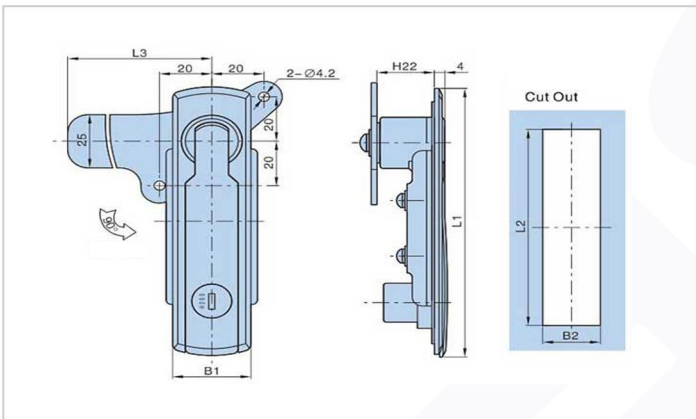


Flat lock Serie - MS751



Features :

- Material:Zinc die-casting body and shaft, Zinc plating cam, fixing parts
- Finish: Gray chrome plating Black powder coated
- Panel thickness:1~6mm
- Remark:cam cutout 8×8

Material :

- Zinc alloy

Surface treatment

- Plastic Spray
- Electroplate

Product Specification

L1	L2	Dimensions			Products no	Weight	Lot
		L3	B1	B2			
147	117	72	33	27	MS751-1-1.2	251	50
121	96	65	30	24	MS751-2-1.2	203	50
88	63	65	28.5	24	MS751-3-1.2	154	50

Manufacturer & Importer

Panel Door Lock / Panel Door Hinges / Latches / Door Handles / Blind Rivet Nut / Mono-Bolt Rivets
 Self Clinching Fasteners / Door gaskets / Fan Filters / Drawer Sliding Chanel