

Electronic lock series Serise - MS8008Z-1-1



➤ Features :

- Material: Zinc die-casting body, ABS back cover, Zinc plating cam
- Finish: Electro black
- Panel thickness: 1~3mm
- Remark: cam cutout 10×10

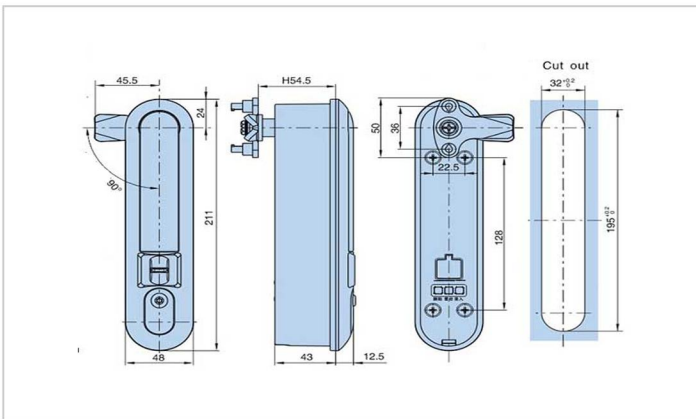
➤ Material :

- Zinc alloy

➤ Surface treatment

➤ Product Specification

| Product No | Weight | Lot |
|-------------|--------|-----|
| MS8008Z-1-1 | 1088 | 25 |



Manufacturer & Importer

Panel Door Lock / Panel Door Hinges / Latches / Door Handles / Blind Rivet Nut / Mono-Bolt Rivets
 Self Clinching Fasteners / Door gaskets / Fan Filters / Drawer Sliding Chanel