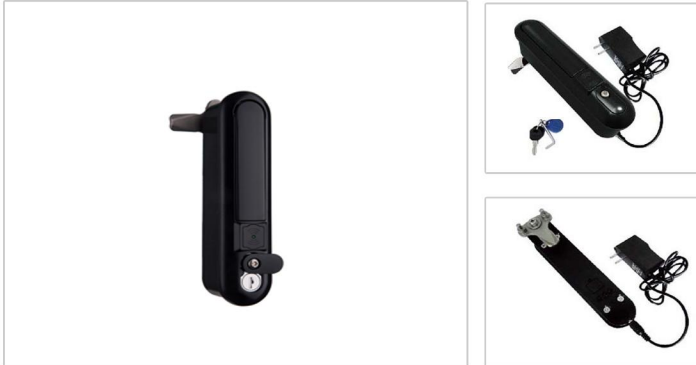


Electronic lock series Serise - MS8014Z-1-1



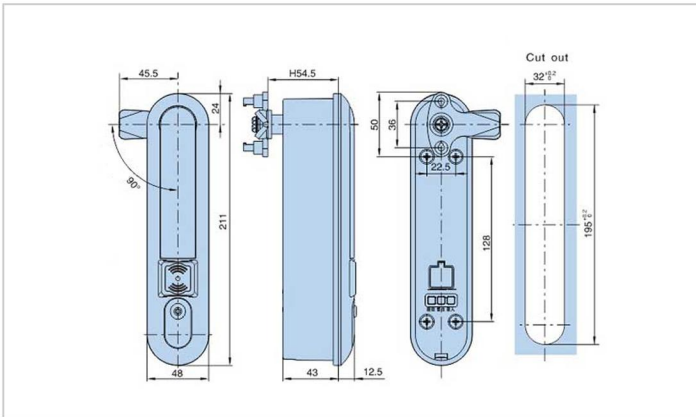
➤ Features :

- Material: Zinc die-casting body, ABS back cover, Zinc plating cam
- Finish: Electro black
- Panel thickness: 1~3mm
- Remark: cam cutout 10×10

➤ Meterial :

- Zinc alloy

➤ Surface treatment



➤ Product Specification

Product No	Weight	Lot
MS8014Z-1-1	1050	25

Manufacturer & Importer

Panel Door Lock / Panel Door Hinges / Latches / Door Handles / Blind Rivet Nut / Mono-Bolt Rivets
 Self Clinching Fasteners / Door gaskets / Fan Filters / Drawer Sliding Chanel