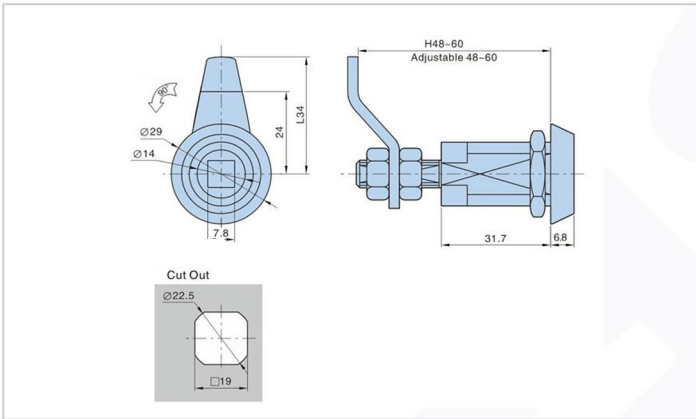


**Cam Lock Serie - MS817-4**



**Features :**

- Material: Zinc die-casting body, nut and key, Zinc plating cam
- Finish: Bright chrome plating
- Panel thickness: 1~18mm
- Remark: compression latch, 6mm pull-up

**Material :**

- Zinc alloy

**Surface treatment**

- Electroplate

**Product Specification**

Product no.		Weight	Lot
Triangular insert	MS817-3	125	200
Square insert	MS817-4	127	200

**Manufacturer & Importer**

Panel Door Lock / Panel Door Hinges / Latches / Door Handles / Blind Rivet Nut / Mono-Bolt Rivets  
 Self Clinching Fasteners / Door gaskets / Fan Filters / Drawer Sliding Channel