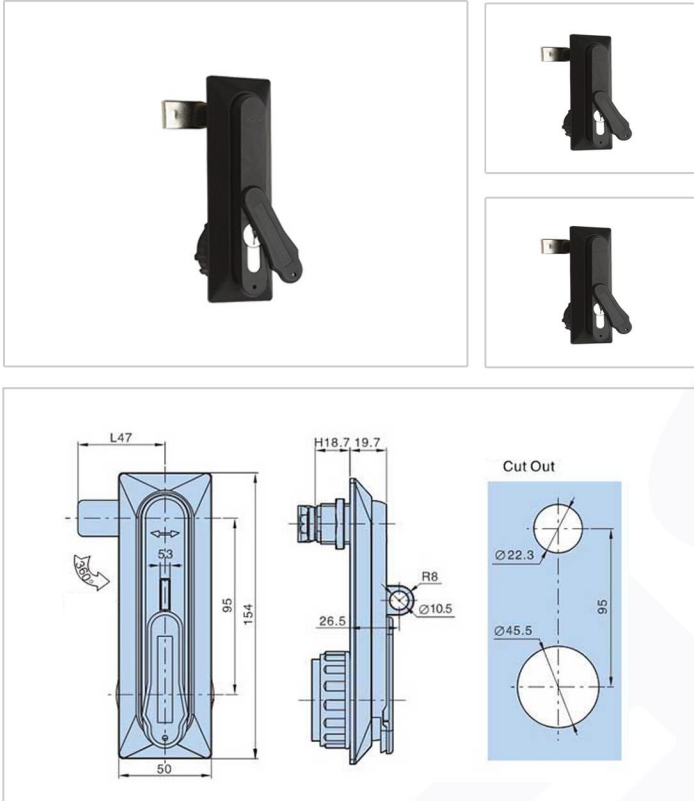


Flat lock Serise - MS820



► Features :

- Material:PA66 body,zinc die-casting handle、 Insert, Zin plating cam
- Panel thickness:1~8mm
- Remark:cam cutout 8×8

► Meterial :

- Plastic
- Zinc alloy

► Surface treatment

- Plastic Spray

► Product Specification

Insert Type	With Padlock		Weight	Lot Matt Black	With Padlock		Weight	Lot
	Matt Black	Soft Touch			Soft Touch	Matt Black		
K0100(A)	MS820-1-1AG	MS820-1-1AG.6	305	100	MS820-1-1A	MS820-1-1A.6	286.5	100
K0133(B)	MS820-1-1BG	MS820-1-1BG.6	305	100	MS820-1-1B	MS820-1-1B.6	286.5	100
K7010(C)	MS820-1-1CG	MS820-1-1CG.6	305	100	MS820-1-1C	MS820-1-1C.6	286.5	100
K7030(D)	MS820-1-1DG	MS820-1-1DG.6	305	100	MS820-1-1D	MS820-1-1D.6	286.5	100

Manufacturer & Importer

Panel Door Lock / Panel Door Hinges / Latches / Door Handles / Blind Rivet Nut / Mono-Bolt Rivets
 Self Clinching Fasteners / Door gaskets / Fan Filters / Drawer Sliding Chanel