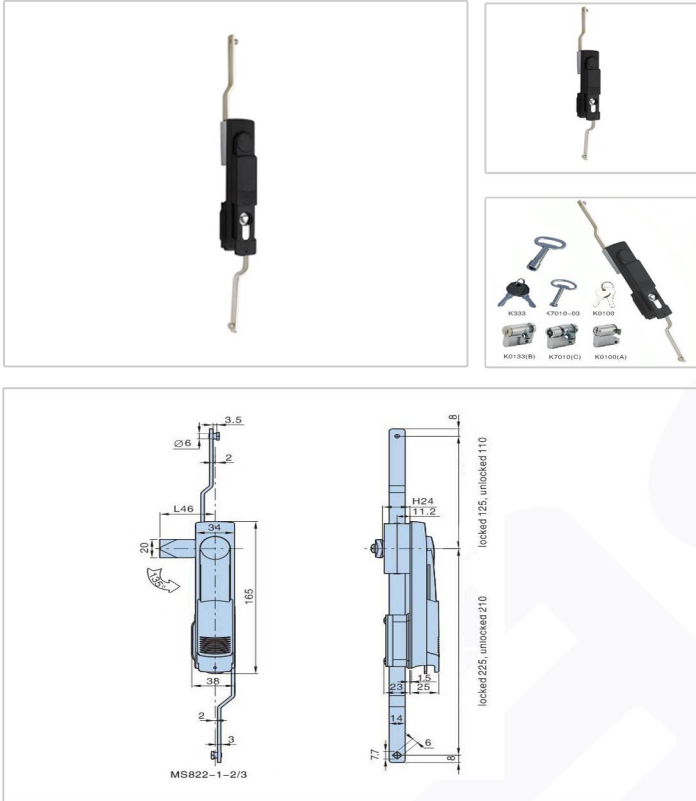


The connecting rod lock Serie - MS822



Features :

- Material:PA-6 body, brass shaft Zinc plating cam, fixing parts nickel plating driving rod
- Panel thickness:1~2mm
- Remark: cam cutout 8×8

Material :

- Plastic

Surface treatment

- Plastic Spray

Product Specification

Insert type	Product no.											
	One point lock (with cam without rod)				Two point lock (with rod without cam)				three point lock (with cam and rod)			
	Matt black	Soft touch	weight	lot	Matt black	Soft touch	weight	lot	Matt black	Soft touch	weight	lot
K0100(A)	Ms822-1-1A	Ms822-2-1A.6	408	50	Ms822-1-2A	Ms822-2-2A.6	438	50	Ms822-1-3A	Ms822-1-3A.6	458	50
K0133(B)	Ms822-1-1B	Ms822-2-1B.6	425	50	Ms822-1-2B	Ms822-2-2B.6	497	50	Ms822-1-3B	Ms822-1-3B.6	486	50
K7010(C)	Ms822-1-1C	Ms822-2-1C.6	438	50	Ms822-1-2C	Ms822-2-2C.6	468	50	Ms822-1-3C	Ms822-1-3C.6	480	50
K7030(D)	Ms822-1-1D	Ms822-2-1D.6	442	50	Ms822-1-2D	Ms822-2-2D.6	472	50	Ms822-1-3D	Ms822-1-3D.6	492	50

Manufacturer & Importer

Panel Door Lock / Panel Door Hinges / Latches / Door Handles / Blind Rivet Nut / Mono-Bolt Rivets
 Self Clinching Fasteners / Door gaskets / Fan Filters / Drawer Sliding Chanel