

Plane lock Serise - MS839



Features :

- Material:A3 steel panel back,Zinc die-casting housing
- Finish :Black powder coated
- Panel thickness:1~4.5mm

Meterial :

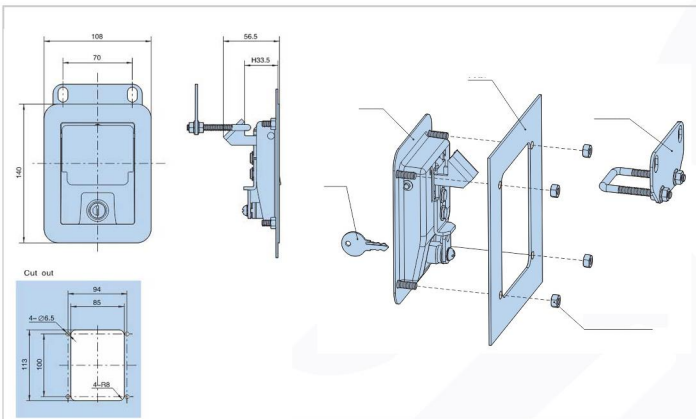
- Zinc alloy
- A3

Surface treatment

- Plastic Spray

Product Specification

Product Number	Weight	Lot
MS839	536	40



Manufacturer & Importer

Panel Door Lock / Panel Door Hinges / Latches / Door Handles / Blind Rivet Nut / Mono-Bolt Rivets
 Self Clinching Fasteners / Door gaskets / Fan Filters / Drawer Sliding Chanel