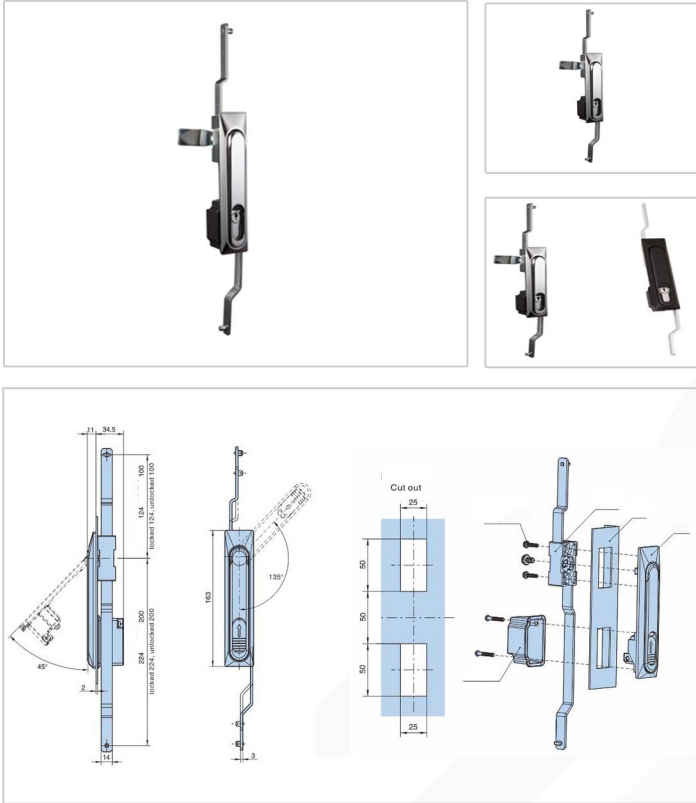


The connecting rod lock Serise - MS843



> Features :

- Material:zinc die-casting body, nickel plating driving rod
- Finish :Matt black
- Panel thickness:1~3mm

> Meterial :

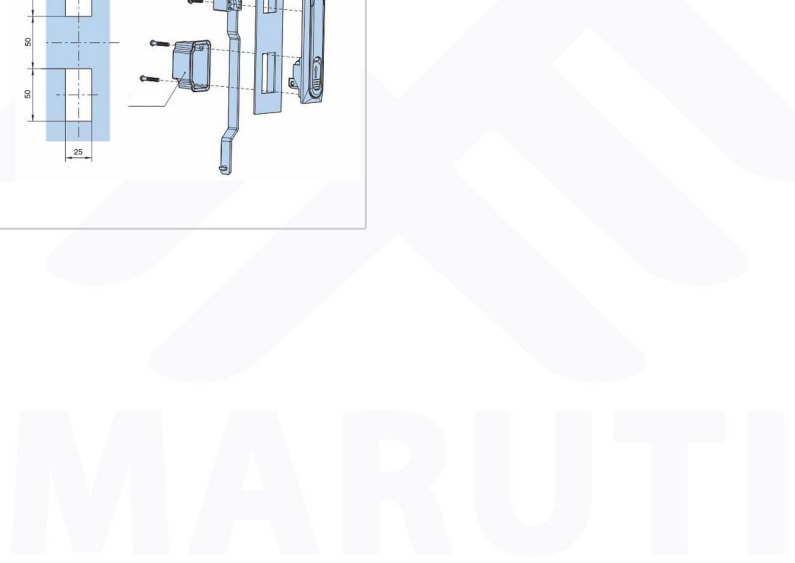
- Zinc alloy

> Surface treatment

- Plastic Spray
- Electroplate

> Product Specification

Product Number	Weight	Lot
MS843-1-2	603	50



Manufacturer & Importer

Panel Door Lock / Panel Door Hinges / Latches / Door Handles / Blind Rivet Nut / Mono-Bolt Rivets
 Self Clinching Fasteners / Door gaskets / Fan Filters / Drawer Sliding Chanel