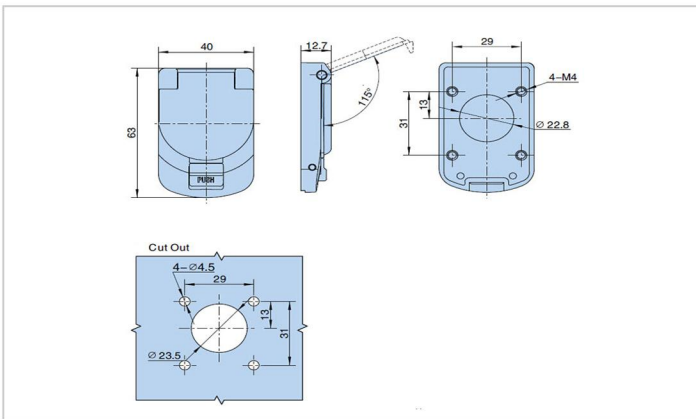


**Plane lock Serise - MS9009Z-1-1**



- **Features :**
  - Material: zinc alloy housing, escutcheon and button, stainless steel pin
  - Finish: gray chrome plating
- **Material :**
  - Zinc alloy
- **Surface treatment**
  - Electroplate
- **Product Specification**



Product No	Weight	Lot
MS9009Z-1-1	107.6	250

**Manufacturer & Importer**

Panel Door Lock / Panel Door Hinges / Latches / Door Handles / Blind Rivet Nut / Mono-Bolt Rivets  
 Self Clinching Fasteners / Door gaskets / Fan Filters / Drawer Sliding Channel