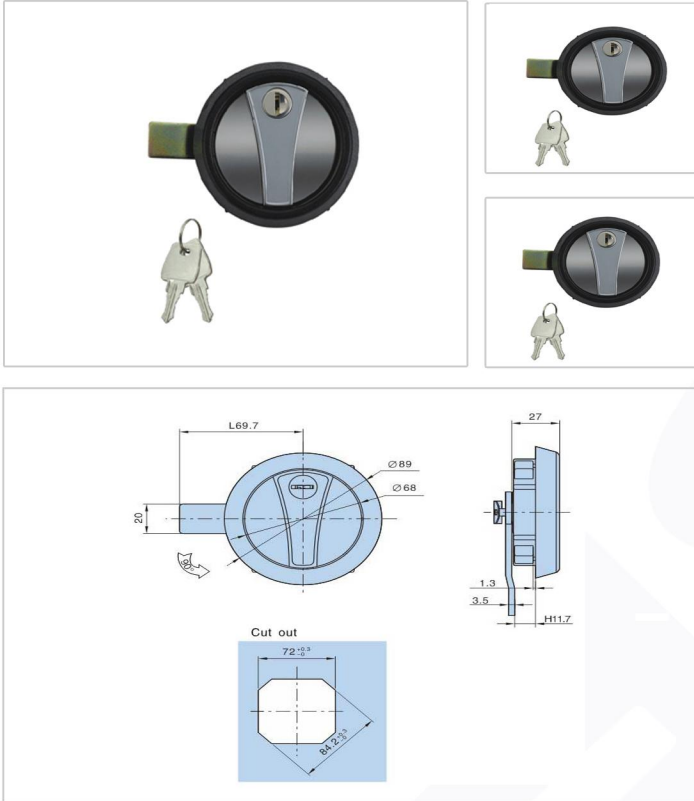


**Plane lock Serie - MS901**



➤ **Features :**

- Material: ABS housing,zinc die-casting knob insert, Zinc plating cam, fixing parts;
- Finish :Matt black
- Panel thickness:0.8~1.2mm

➤ **Material :**

- Zinc alloy
- Plastic

➤ **Surface treatment**

- Plastic Spray

➤ **Product Specification**

Product Number	Weight	Lot
MS901	213.5	100



**Manufacturer & Importer**

Panel Door Lock / Panel Door Hinges / Latches / Door Handles / Blind Rivet Nut / Mono-Bolt Rivets  
 Self Clinching Fasteners / Door gaskets / Fan Filters / Drawer Sliding Channel