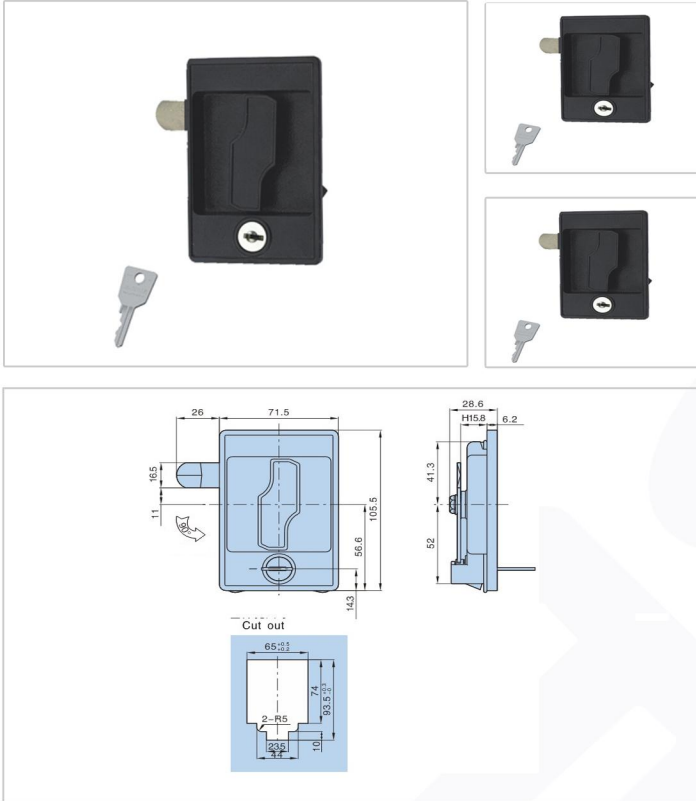


Plane lock Serie - MS902



➤ **Features :**

- Material:Zinc die-casting housing handle,Zinc plating cam
- Finish :Matt black
- Panel thickness:1~2mm

➤ **Material :**

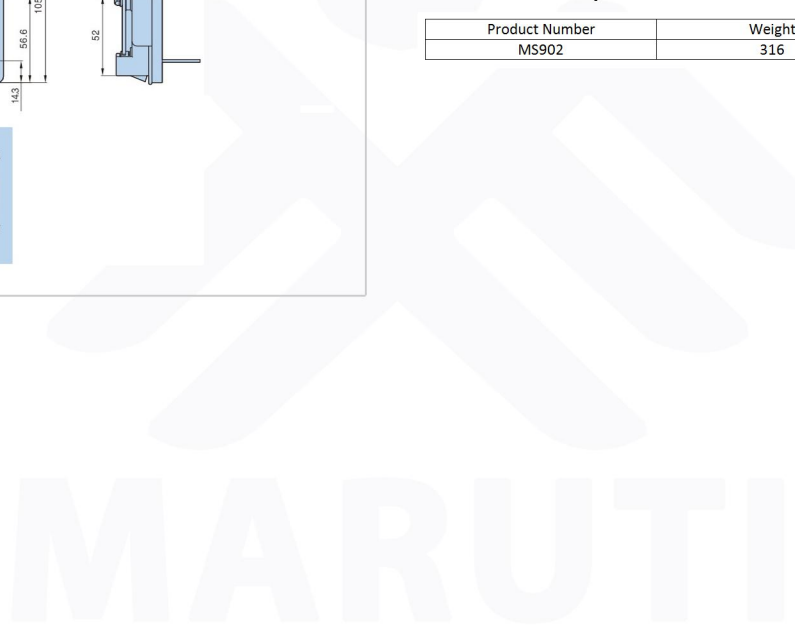
- Zinc alloy

➤ **Surface treatment**

- Plastic Spray
- Electroplate

➤ **Product Specification**

Product Number	Weight	Lot
MS902	316	50



MARUTI

Manufacturer & Importer

Panel Door Lock / Panel Door Hinges / Latches / Door Handles / Blind Rivet Nut / Mono-Bolt Rivets
 Self Clinching Fasteners / Door gaskets / Fan Filters / Drawer Sliding Chanel