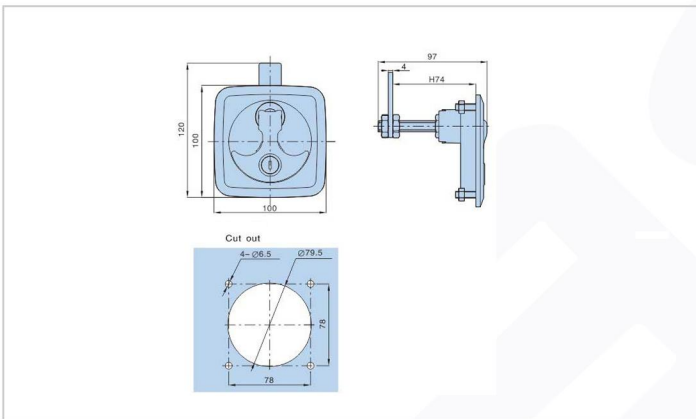
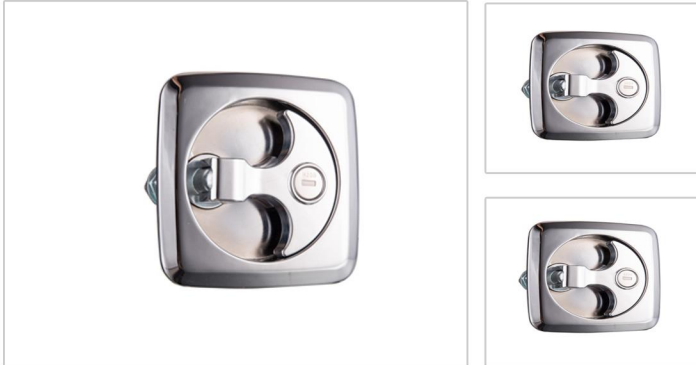


**Plane lock Serise - MS903-1**



**► Features :**

- Material: Zinc die-casting handle and housing, Zinc plating cam
- Finish: Bright chrome plated
- Panel thickness: 1~5mm
- Remark: cam cutout 10X10

**► Material :**

- Zinc alloy

**► Surface treatment**

- Electroplate

**► Product Specification**

Product Number	Weight	Lot
MS903-1	553.5	50



**Manufacturer & Importer**

Panel Door Lock / Panel Door Hinges / Latches / Door Handles / Blind Rivet Nut / Mono-Bolt Rivets  
 Self Clinching Fasteners / Door gaskets / Fan Filters / Drawer Sliding Chanel