

**Countersunk head knurled body stainless steel**

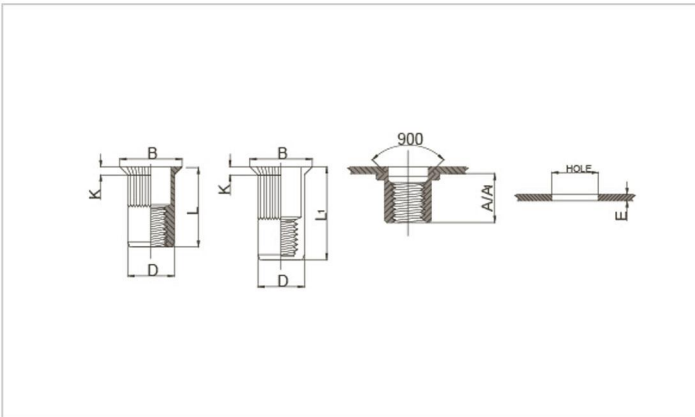


**> Product Specification**

UNIT : mm

C=Countersunk / K=Knurled / A2=Stainless steel

Thead	P/N	T(GRIP RANGE)		A Rof	Hole Size 0.1	D +0.07-0.1	B ±0.03	K ±0.15	L ±0.03
		Min	Max						
M4	CKA2-04M-30	1.5	3.0	7.5	6	5.9	9	1.5	12
M5	CKA2-05M-35	1.5	3.5	7.8	7	6.9	10	1.5	13
M6	CKA2-06M-40	1.5	4.0	9	9	8.9	12	1.5	15.5
M8	CKA2-08M-45	2.0	4.5	12	11	10.9	14	1.5	18.5
M10	CKA2-10M-50	2.0	5.0	13	13	12.9	16	1.5	21



**Manufacturer & Importer**

Panel Door Lock / Panel Door Hinges / Latches / Door Handles / Blind Rivet Nut / Mono-Bolt Rivets  
 Self Clinching Fasteners / Door gaskets / Fan Filters / Drawer Sliding Chanel