

Countersunk head knurled body steel

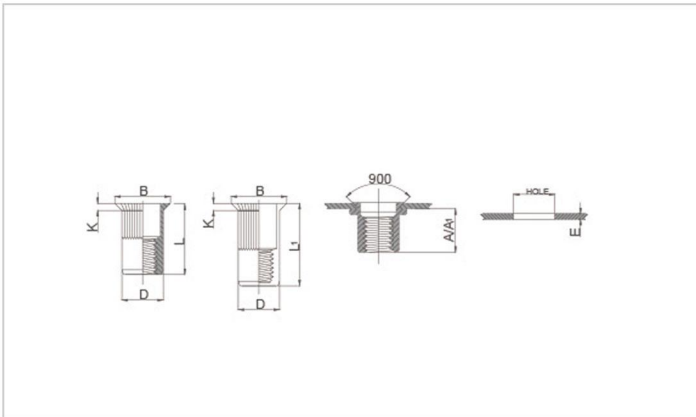


> Product Specification

UNIT : mm

C=Countersunk / K=Knurled / S=Steel

Thread	P/N	T(GRIP RANGE)		A	Hole Size	D	B	K	L
		Min	Max						
M4	CKS-04M-30	1.5	3.0	6.5	6	5.9	9	1.5	12
M5	CKS-05M-35	1.5	3.5	7.5	7	6.9	10	1.5	13
M6	CKS-06M-40	1.5	4.0	9	9	8.9	12	1.5	15.5
M8	CKS-08M-45	2.0	4.5	11	11	10.9	14	1.5	18.5
M10	CKS-10M-50	2.0	5.0	13	13	12.9	16	1.5	21
M12	CKS-12M-50(18H)	2.0	5.0	16.5	16	15.9	19	1.5	24



Manufacturer & Importer

Panel Door Lock / Panel Door Hinges / Latches / Door Handles / Blind Rivet Nut / Mono-Bolt Rivets
 Self Clinching Fasteners / Door gaskets / Fan Filters / Drawer Sliding Channel