

Flat head half hex body steel



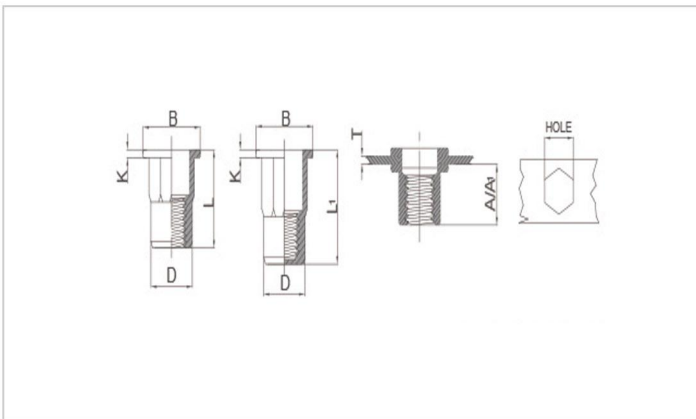
> Product Specification

UNIT : mm

F=Flat / H=Half hex / S=Steel

Thread	P/N	T(GRIP RANGE) Min Max	A Rof	Hole Size 0.1	HD 0.07-0.1	B	K	L	(CLOSE END)	
									A1	L1
M4	FFS-04M-20	0.5-2.0	6.5	6	5.9	9	0.8	11	11	15
M5	FFS-05M-25	0.5-2.5	8	7	6.9	10	1	13	13.5	18
M6	FFS-06M-30	0.5-3.0	8.5	9	8.9	12.7	1.35	15	17	23
M8	FFS-08M-35	1.0-3.5	10.5	11	10.9	16	1.5	18	19	26
	FFS-10M-35	1.0-3.5	12.5	13	12.9	18	1.7	21	25	33
M10	FFS-10M-35(12H)	1.0-3.5	11	12	11.9	17	1.6	19		
	FFS-12M-40	1.0-4.0	14	15	14.9	20	1.7	23		
	FFS-12M-50(16H)	2.0-5.0	16.5	16	15.9	23	2.2	27.5		

All close end pants number add "B", AS:FFS-04M-20B



Manufacturer & Importer

Panel Door Lock / Panel Door Hinges / Latches / Door Handles / Blind Rivet Nut / Mono-Bolt Rivets
 Self Clinching Fasteners / Door gaskets / Fan Filters / Drawer Sliding Chanel