

Flat head inner hex body steel

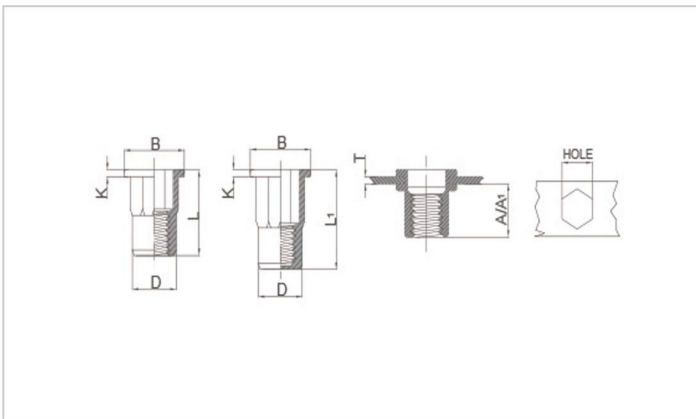


> Product Specification

UNIT : mm

F=Flat / H=Inner hex / S=Steel

Thread	P/N	T(GRIP RANGE) Min Max	A	Hole Size	D	B	K	L
			Rof	0.1				
M4	FIHS-04M-20	0.5-2.0	7	6	5.9	9	0.8	11
M5	FIHS-05M-25	0.5-2.5	7.5	7	6.9	10	1	12
M6	FIHS-06M-30	0.5-3.0	9.2	9	8.9	12.7	1.3	15.5
M8	FIHS-08M-35	1.0-3.5	11.2	11	10.9	16	1.5	18.5
M10	FIHS-10M-35	1.0-4.0	12.8	13	12.9	18	1.7	21



Manufacturer & Importer

Panel Door Lock / Panel Door Hinges / Latches / Door Handles / Blind Rivet Nut / Mono-Bolt Rivets
 Self Clinching Fasteners / Door gaskets / Fan Filters / Drawer Sliding Chanel