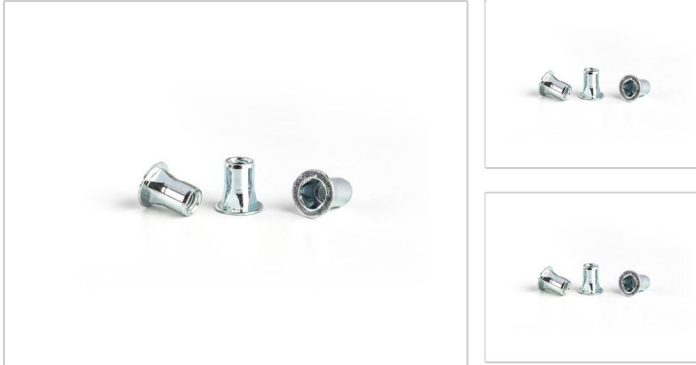


Flat head square body steel

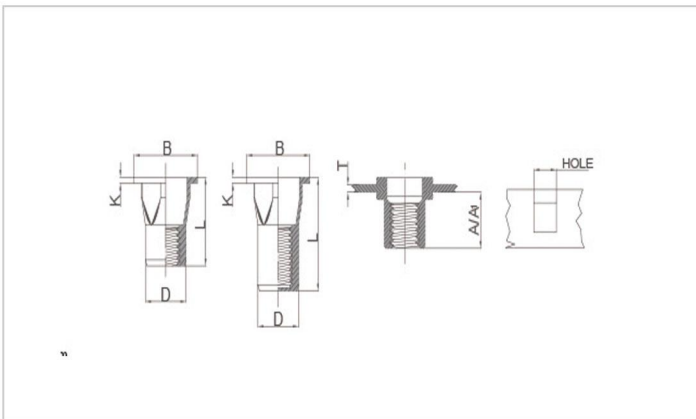


Product Specification

UNIT : mm

F=Flat / S=Square / S=Steel

Thead	P/N	T(GRIP RANGE) Min Max	A	Hole Size	D	B	K	L
			Rof	0.1				
M5	FFS-05M-15	0.5-1.5	8	7	6.9	10.5	6	11.2
	FFS-05M-30	1.5-3.0					6	12.7
M6	FFS-06M-25	0.5-2.5	8.5	9	8.9	14.0*	0.8*	14.3
	FFS-06M-40	2.5-4.0	9.5				0.8*	17.2*
M8	CKS-08M-45	1.0-3.0	11.5	11	10.9	17.5	1.3*	18.6*



Manufacturer & Importer

Panel Door Lock / Panel Door Hinges / Latches / Door Handles / Blind Rivet Nut / Mono-Bolt Rivets
 Self Clinching Fasteners / Door gaskets / Fan Filters / Drawer Sliding Channel