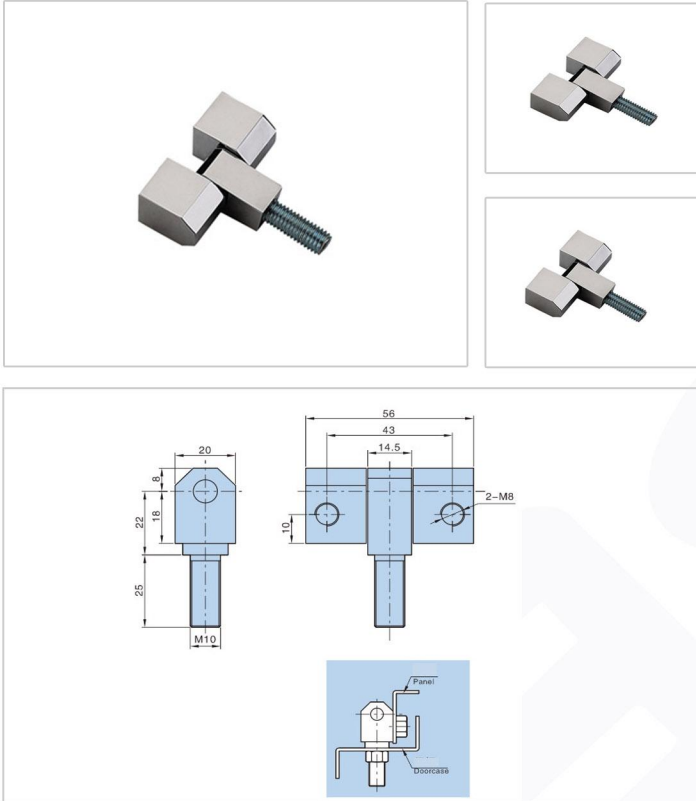


**Hinge Serise - HL020**



➤ **Features :**

- Material: Zinc die-casting hinge, stainless steel and nickel plating steel pin are available
- Finish: Bright chrome plating
- Remark: 270°hinge

➤ **Meterial :**

- Zinc alloy

➤ **Surface treatment**

- Electroplate

➤ **Product Specification**

Product No	Weight	Lot
HL020	165.5	200

MARUTI

**Manufacturer & Importer**

Panel Door Lock / Panel Door Hinges / Latches / Door Handles / Blind Rivet Nut / Mono-Bolt Rivets  
 Self Clinching Fasteners / Door gaskets / Fan Filters / Drawer Sliding Chanel