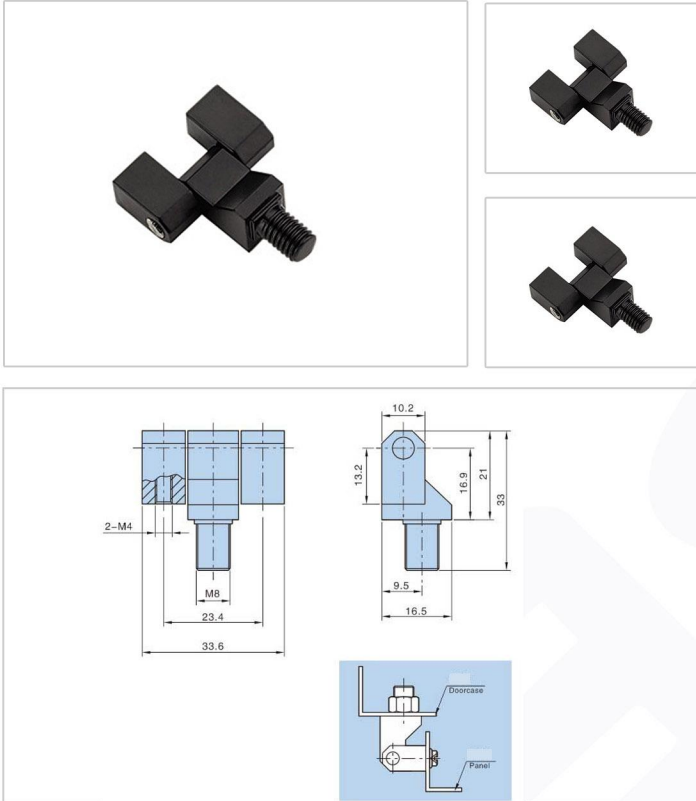


Hinge Serise - HL024



➤ **Features :**

- Material: Zinc die-casting hinge, stainless steel and nickel plating steel pin are available
- Finish: Black powder coated
- Remark: 180°hinge

➤ **Meterial :**

- Zinc alloy

➤ **Surface treatment**

- Plastic Spray

➤ **Product Specification**

Product No	Weight	Lot
HL024	54	500

Manufacturer & Importer

Panel Door Lock / Panel Door Hinges / Latches / Door Handles / Blind Rivet Nut / Mono-Bolt Rivets
 Self Clinching Fasteners / Door gaskets / Fan Filters / Drawer Sliding Chanel