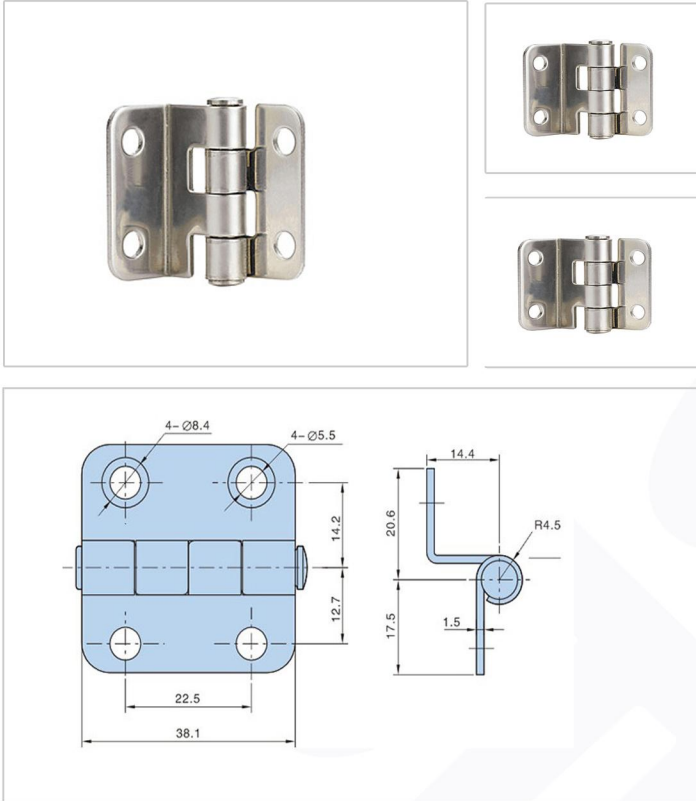


**Hinge Serise - HL038**



➤ **Features :**

- Material: Mirror surface stainless steel body, stainless steel pin
- Finish: drawing

➤ **Material :**

- stainless steel

➤ **Surface treatment**

- 

➤ **Product Specification**

Product No	Weight	Lot
HL038	35.5	500

MARUTI

**Manufacturer & Importer**

Panel Door Lock / Panel Door Hinges / Latches / Door Handles / Blind Rivet Nut / Mono-Bolt Rivets  
 Self Clinching Fasteners / Door gaskets / Fan Filters / Drawer Sliding Chanel