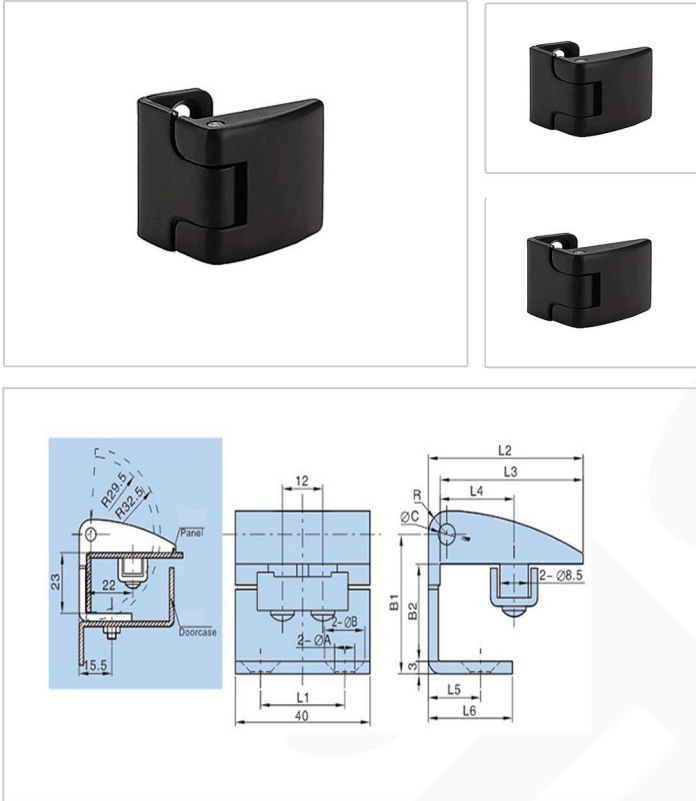


Hinge Serise - HL044



➤ **Features :**

- Material:Zinc die-casting hinge,stainless steel and nickel plating steel pin are available.
- Remark:180°hinge

➤ **Meterial :**

- Zinc alloy

➤ **Surface treatment**

- Plastic Spray
- Electroplate

➤ **Product Specification**

Dimensions											Product Number				
L1	L2	L3	L4	L5	L6	B1	B2	A	B	C	R	Black powder coated	Bluish green	Weight	Lot
25	46	42.5	22	15.5	25	34	24.5	6	12	5	5.5	HL044-1.3	HL044-1.9	142	200
20	46.3	43.2	22.7	18	25.5	32	22.5	7	11.5	5.1	5	HL044-18.3	HL044-18.9	126	200
25	46	42.5	20.2	18	25	24.5	26	M6		5.1	5	HL044-7.3	HL044-7.9	135	200



Manufacturer & Importer

Panel Door Lock / Panel Door Hinges / Latches / Door Handles / Blind Rivet Nut / Mono-Bolt Rivets
 Self Clinching Fasteners / Door gaskets / Fan Filters / Drawer Sliding Chanel