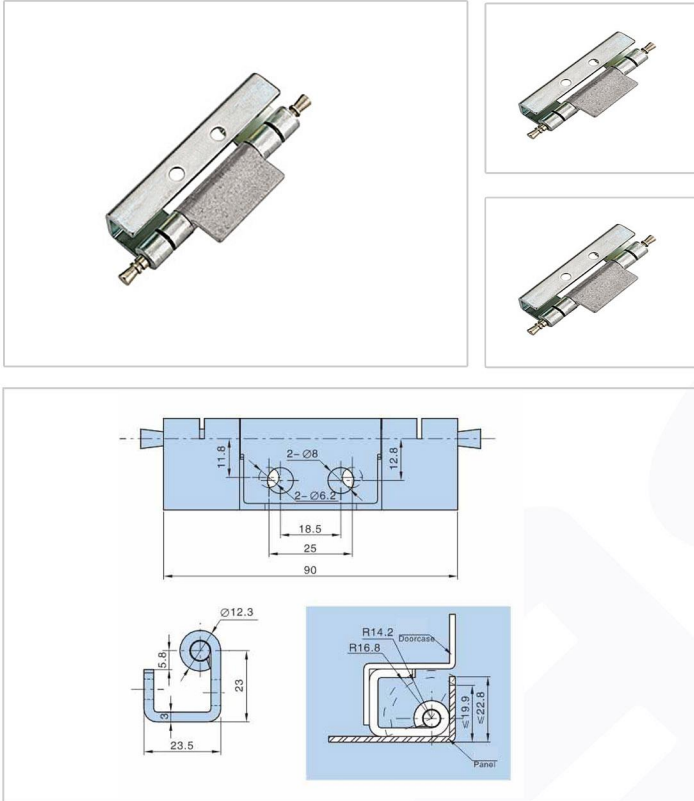


**Hinge Serise - HL048**



➤ **Features :**

- Material: Zinc plating steel hinge
- Finish: white zinc plating
- Remark: 120°hinge.

➤ **Material :**

- A3

➤ **Surface treatment**

- Electroplate

➤ **Product Specification**

Product No	Weight	Lot
HL048	180	200

**Manufacturer & Importer**

Panel Door Lock / Panel Door Hinges / Latches / Door Handles / Blind Rivet Nut / Mono-Bolt Rivets  
 Self Clinching Fasteners / Door gaskets / Fan Filters / Drawer Sliding Chanel