

Hinge Serise - HL054



Features :

- Material: Zinc die-casting hinge, stainless steel and nickel plating steel pin are available
- Finish: Black powder coated
- Remark: 180°hinge

Material :

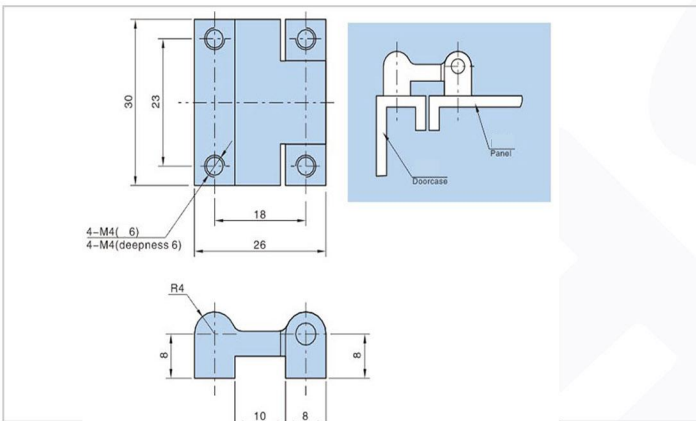
- Zinc alloy

Surface treatment

- Plastic Spray

Product Specification

Product No	Weight	Lot
HL054	40	500



Manufacturer & Importer

Panel Door Lock / Panel Door Hinges / Latches / Door Handles / Blind Rivet Nut / Mono-Bolt Rivets
 Self Clinching Fasteners / Door gaskets / Fan Filters / Drawer Sliding Chanel