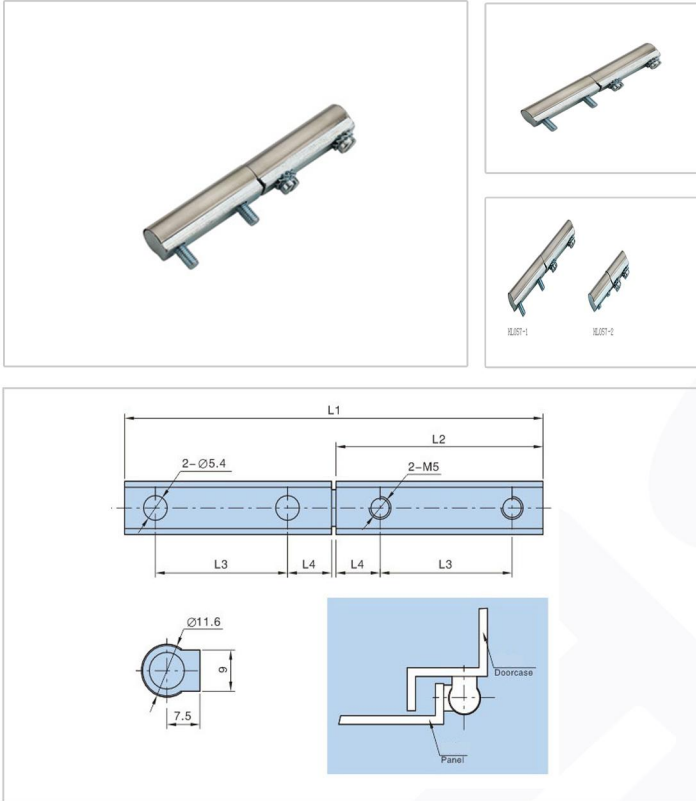


Hinge Serise - HL057



➤ **Features :**

- Material:Zinc plating steel body with stainless steel cover.
- Remark:180°hinge.

➤ **Meterial :**

- A3
Stainless steel

➤ **Surface treatment**

→

➤ **Product Specification**

Dimension				Product Number		Weight	Lot
L1	L2	L3	L4	Stainless Steel Cover			
95	47	30	10	HL057-1		85	300
55	27	15	6	HL057-2		46	300

Manufacturer & Importer

Panel Door Lock / Panel Door Hinges / Latches / Door Handles / Blind Rivet Nut / Mono-Bolt Rivets
 Self Clinching Fasteners / Door gaskets / Fan Filters / Drawer Sliding Chanel