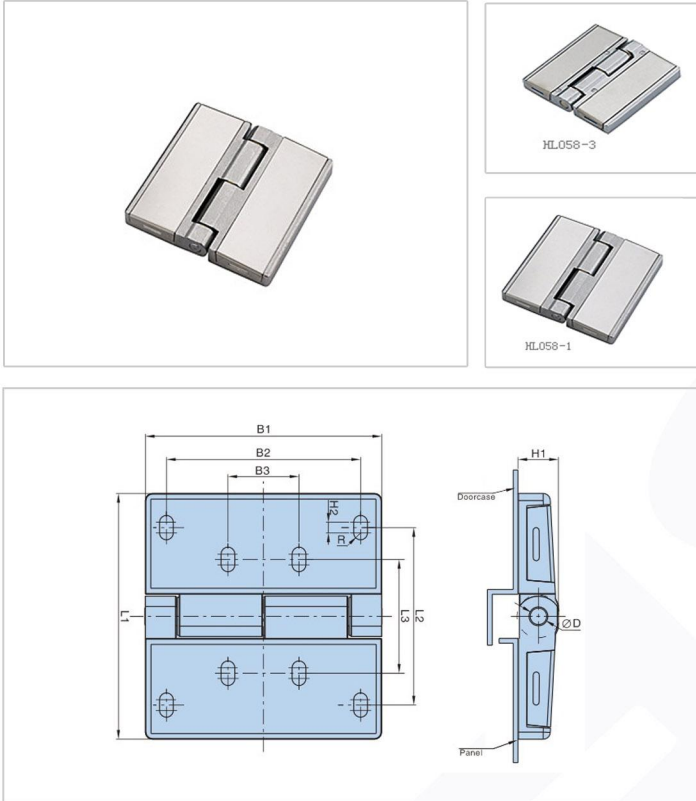


Hinge Serise - HL058



Features :

- Material: Zinc die-casting hinge, stainless steel and nickel plating steel pin are available, Mirror surface
- stainless steel cover, brass washer.
- Remark: 180°hinge.

Material :

- Zinc alloy
- Stainless steel

Surface treatment

- Electroplate

Product Specification

Dimensions										Product Number		Weight	Lot
L1	L2	L3	B1	B2	B3	H1	H2	R	D	Matt Gray chrome Platting			
104	75	48	100	82	30	17	4.5	2.9	18.5	HL058-1		558	60
86	62	42	80	55	25	14.5	2.8	2.6	15.5	HL058-2		321	100
63	45.4	30.4	60	40	20	11.5	1.3	2.1	12	HL058-3		146	200

Manufacturer & Importer

Panel Door Lock / Panel Door Hinges / Latches / Door Handles / Blind Rivet Nut / Mono-Bolt Rivets
 Self Clinching Fasteners / Door gaskets / Fan Filters / Drawer Sliding Chanel