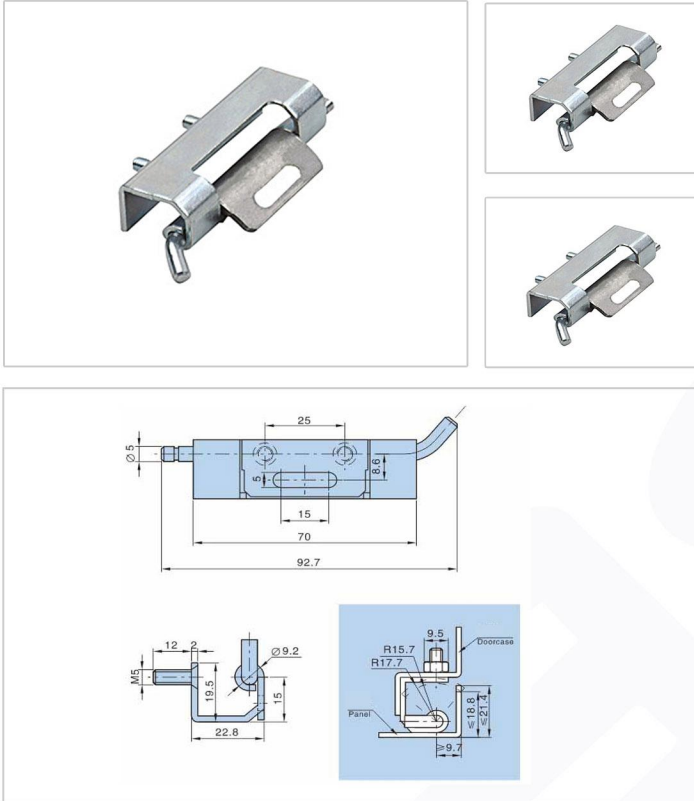


Hinge Serise - HL060



► Features :

- Material: Zinc plating steel hinge
- Finish: white zinc plating
- Remark: 90°hinge

► Material :

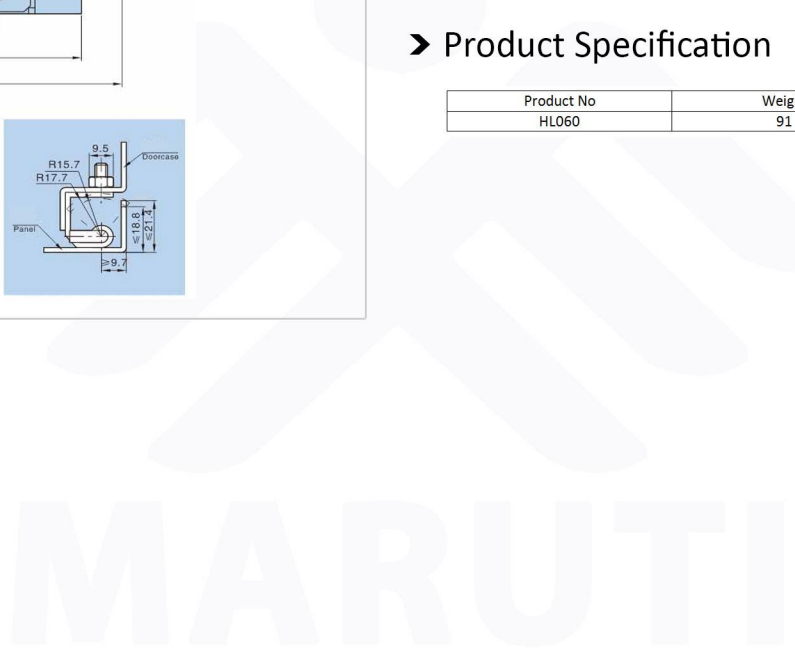
- A3

► Surface treatment

- Electroplate

► Product Specification

Product No	Weight	Lot
HL060	91	200



MARUTI

Manufacturer & Importer

Panel Door Lock / Panel Door Hinges / Latches / Door Handles / Blind Rivet Nut / Mono-Bolt Rivets
 Self Clinching Fasteners / Door gaskets / Fan Filters / Drawer Sliding Chanel