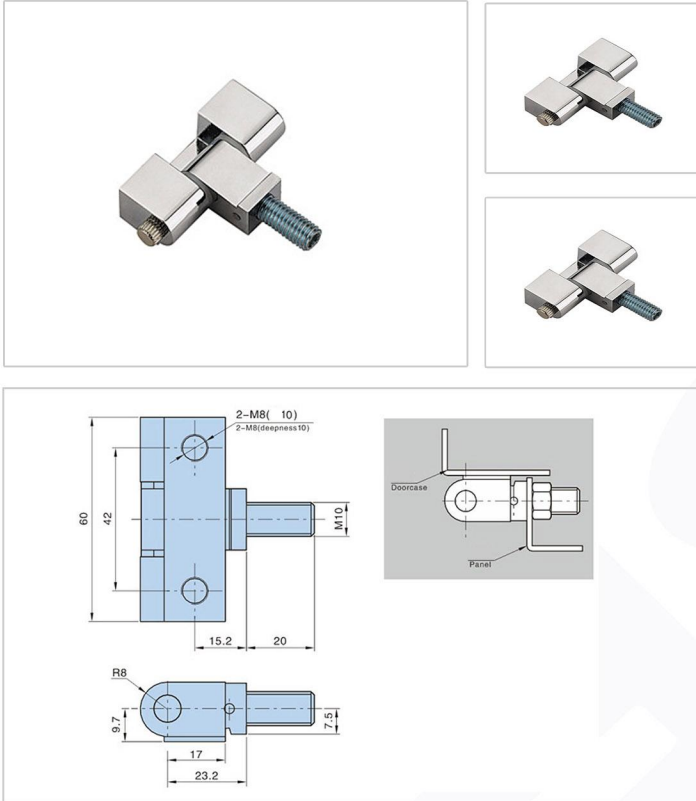


**Hinge Serise - HL061**



➤ **Features :**

- Material: Zinc die-casting hinge, stainless steel and nickel plating steel pin are available
- Finish: Bright chrome plating
- Remark: 180°hinge.

➤ **Material :**

- Zinc alloy

➤ **Surface treatment**

- Electroplate

➤ **Product Specification**

Product Number		Weight	Lot
Right Hinge	HL061R	164	200
Left Hinge	HL061L	164	200

**Manufacturer & Importer**

Panel Door Lock / Panel Door Hinges / Latches / Door Handles / Blind Rivet Nut / Mono-Bolt Rivets  
 Self Clinching Fasteners / Door gaskets / Fan Filters / Drawer Sliding Chanel