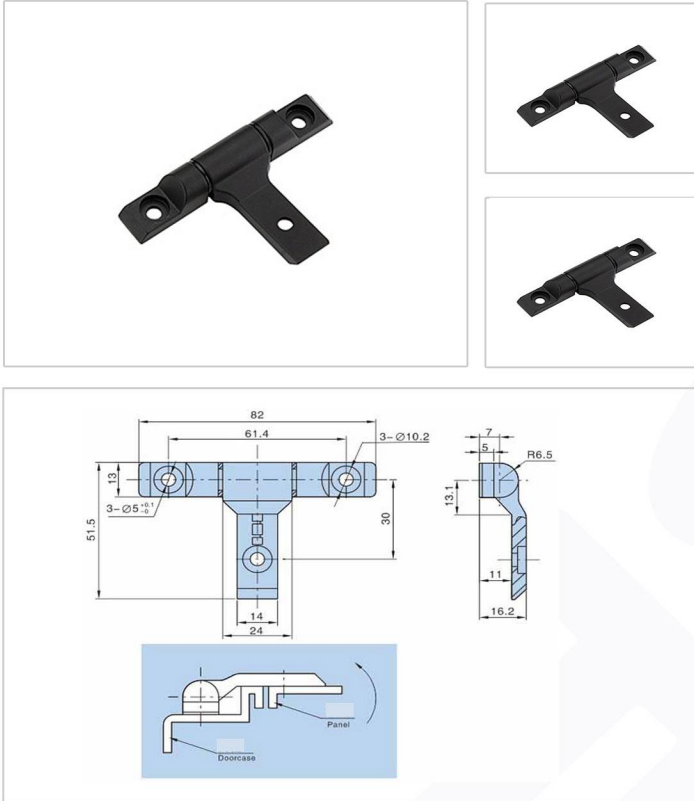


**Hinge Serise - HL065**



➤ **Features :**

- Material: Zinc die-casting hinge, stainless steel and nickel plating steel pin are available, plastic washer
- Finish: Black powder coated
- Remark: 180°hinge

➤ **Material :**

- Zinc alloy

➤ **Surface treatment**

- Plastic Spray

➤ **Product Specification**

Product No	Weight	Lot
HL065	73	200



**Manufacturer & Importer**

Panel Door Lock / Panel Door Hinges / Latches / Door Handles / Blind Rivet Nut / Mono-Bolt Rivets  
 Self Clinching Fasteners / Door gaskets / Fan Filters / Drawer Sliding Channel