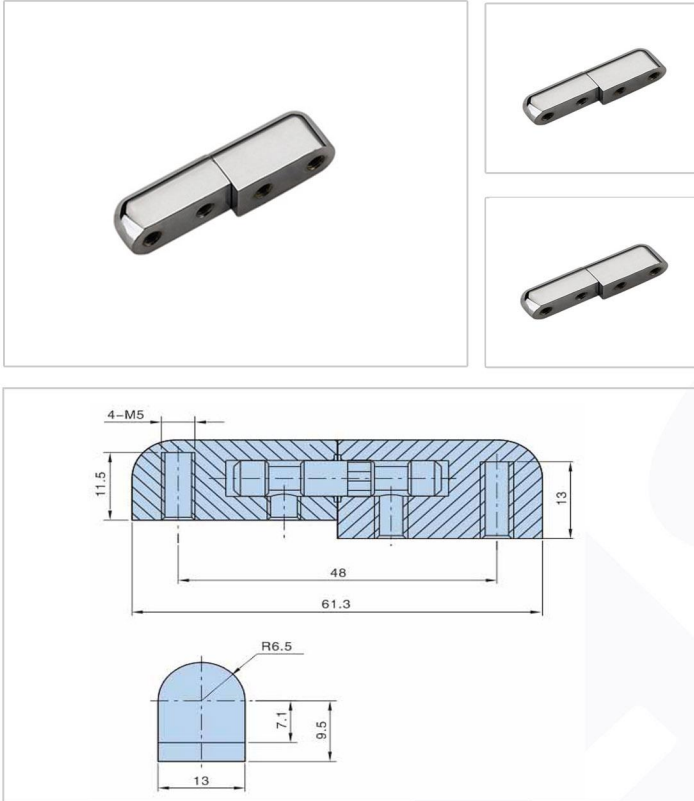


Hinge Serise - HL066



► Features :

- Material: Zinc die-casting hinge, stainless steel and nickel plating steel pin are available
- Finish: Bright chrome plating
- Remark: 180°hinge

► Meterial :

- Zinc alloy

► Surface treatment

- Electroplate

► Product Specification

Product No	Weight	Lot
HL066	59	500



Manufacturer & Importer

Panel Door Lock / Panel Door Hinges / Latches / Door Handles / Blind Rivet Nut / Mono-Bolt Rivets
 Self Clinching Fasteners / Door gaskets / Fan Filters / Drawer Sliding Chanel