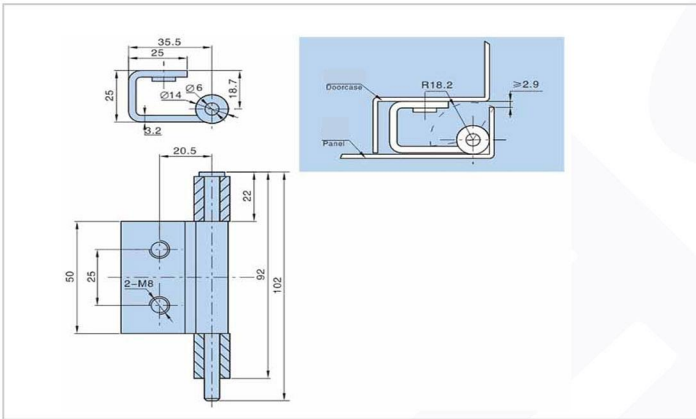


Hinge Serise - HL067



Features :

- Material: Zinc plating steel hinge
- Finish: white zinc plating
- Remark: 120°hinge

Material :

- Zinc alloy

Surface treatment

- Electroplate

Product Specification

Product No	Weight	Lot
HL067	173	200



Manufacturer & Importer

Panel Door Lock / Panel Door Hinges / Latches / Door Handles / Blind Rivet Nut / Mono-Bolt Rivets
 Self Clinching Fasteners / Door gaskets / Fan Filters / Drawer Sliding Chanel