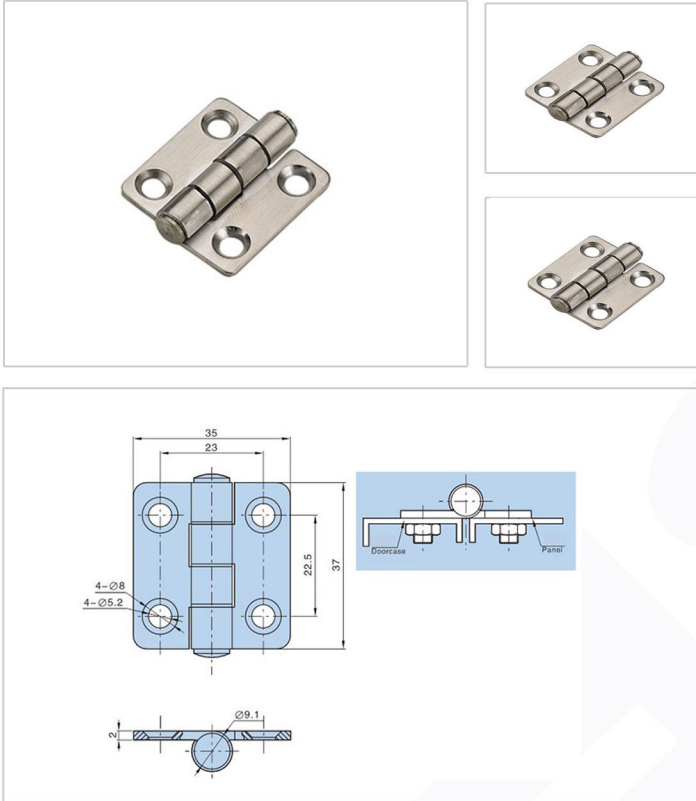


Hinge Serise - HL070



Features :

- Material: Mirror surface stainless steel body
- Finish: drawing
- Remark: 180°hinge.

Material :

- Stainless steel

Surface treatment

→

Product Specification

Product No	Weight	Lot
HL070	31.5	500

MARUTI

Manufacturer & Importer

Panel Door Lock / Panel Door Hinges / Latches / Door Handles / Blind Rivet Nut / Mono-Bolt Rivets
 Self Clinching Fasteners / Door gaskets / Fan Filters / Drawer Sliding Chanel