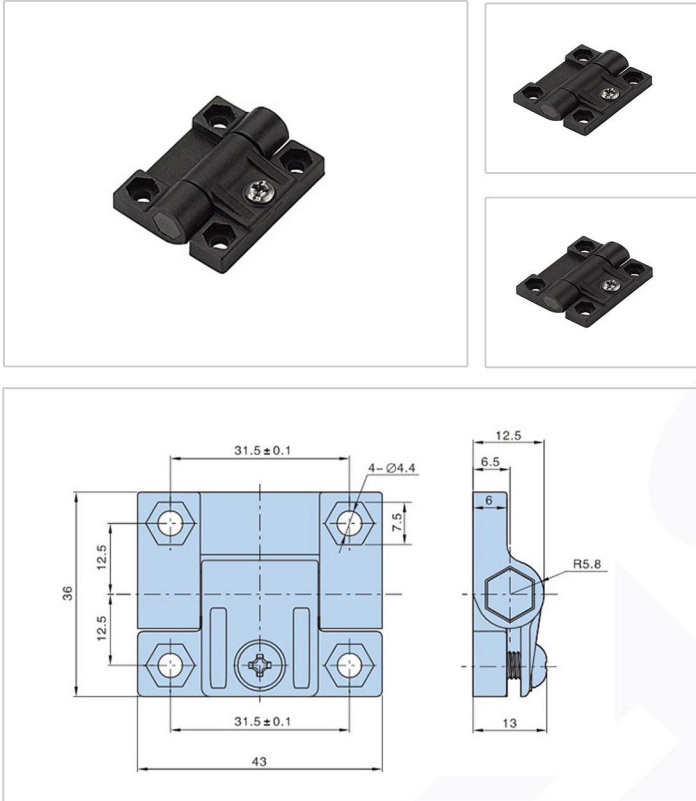


**Hinge Serise - HL079**



**➤ Features :**

- Material: plastic hinge
- Finish: Matt black
- Remark:Adjustable damp 180°torque hinge

**➤ Meterial :**

- Plastic

**➤ Surface treatment**

- Plastic Spray

**➤ Product Specification**

Product No	Weight	Lot
HL079	12	2500

**Manufacturer & Importer**

Panel Door Lock / Panel Door Hinges / Latches / Door Handles / Blind Rivet Nut / Mono-Bolt Rivets  
 Self Clinching Fasteners / Door gaskets / Fan Filters / Drawer Sliding Chanel