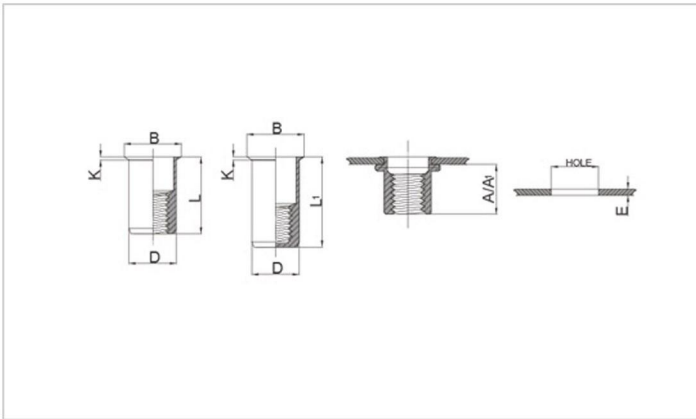
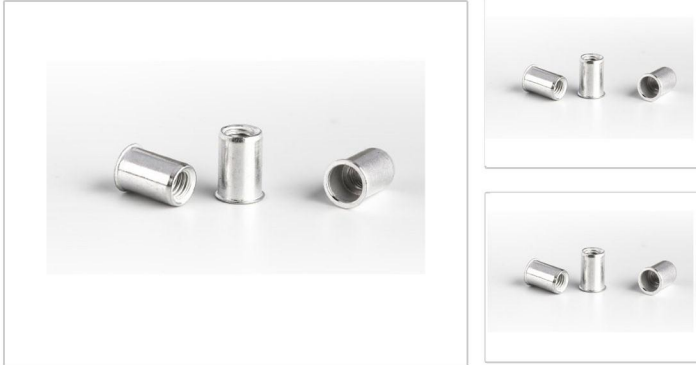


Reduce head plain body aluminium



> Product Specification

UNIT : mm

R=Reduce / P=Plain body / Al=Aluminium

Thead	P/N	T(GRIP RANGE) Min Max	A Rof	Hole Size +0.10	D +0.07-0.1	B	K ±0.1 (*±0.15)	L ±0.25 (*±0.03)
M4	RPAL-04M-20	0.5-2.0	6	6	5.9	7	0.5	10.5
M5	RPAL-05M-20	0.5-2.0	7.5	7	6.9	8	0.5	11.5
M6	RPAL-06M-25	0.5-2.5	9.2	9	8.9	10	0.6*	14.0*
M8	RPAL-08M-25	0.5-2.5	10.2	11	10.9	12	0.65*	15.5*
M10	RPAL-10M-30	1.0-3.0	11.5	13	12.9	14.1	0.7*	17.7*

Manufacturer & Importer

Panel Door Lock / Panel Door Hinges / Latches / Door Handles / Blind Rivet Nut / Mono-Bolt Rivets
 Self Clinching Fasteners / Door gaskets / Fan Filters / Drawer Sliding Chanel