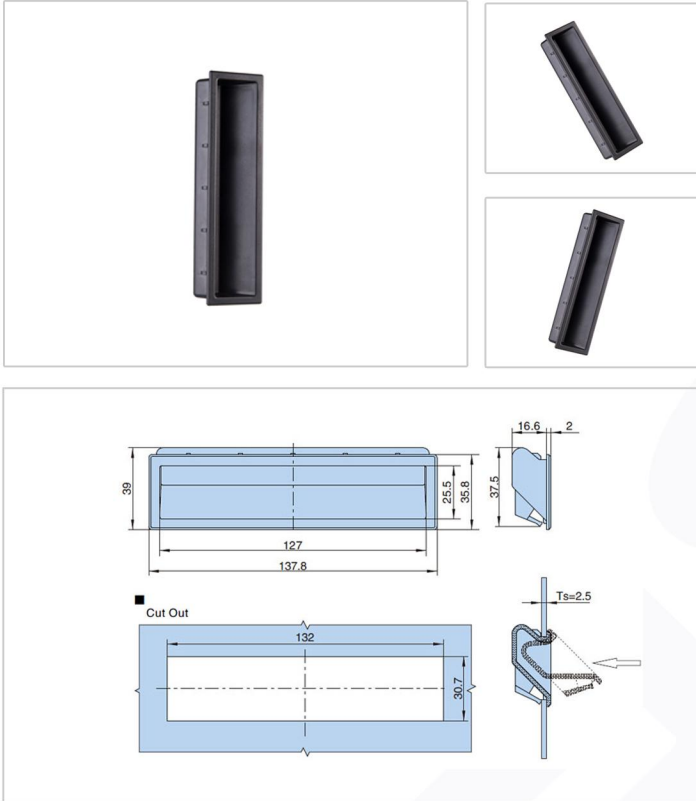


Handle Series - PL034



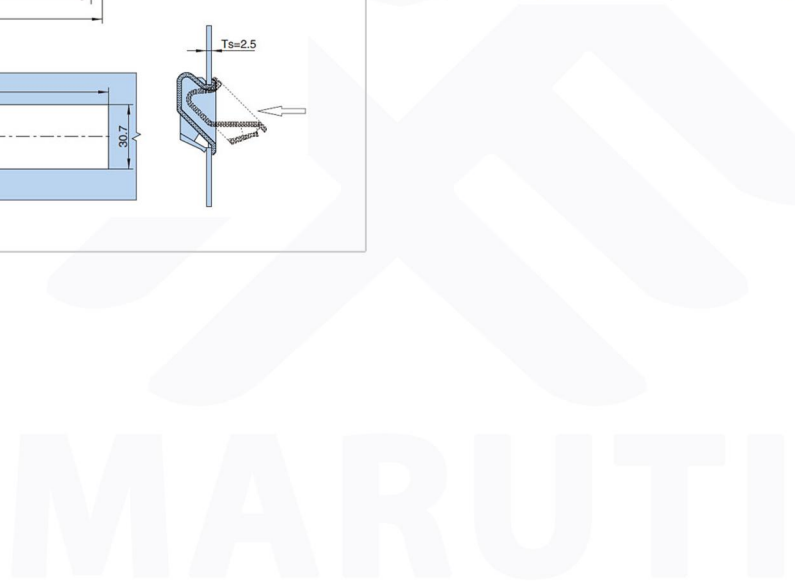
- **Features :**
 - Material:black ABS.
 - Finish:black sand
 - grain surface.
 - Panel thickness:2.5mm.

- **Material :**
 - Plastic

- **Surface treatment :**
 - Plastic Spray

➤ **Product Specification**

Product No	Weight	Lot
PL034	22.5	-



Manufacturer & Importer

Panel Door Lock / Panel Door Hinges / Latches / Door Handles / Blind Rivet Nut / Mono-Bolt Rivets
 Self Clinching Fasteners / Door gaskets / Fan Filters / Drawer Sliding Chanel